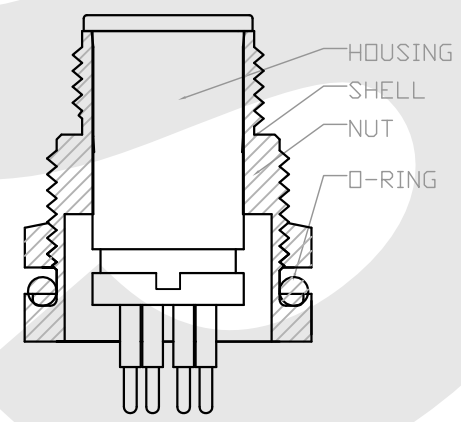
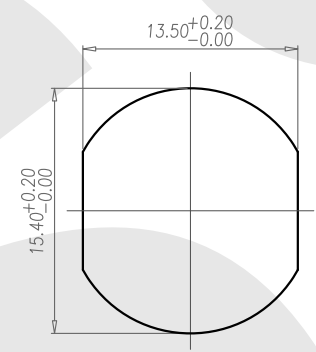
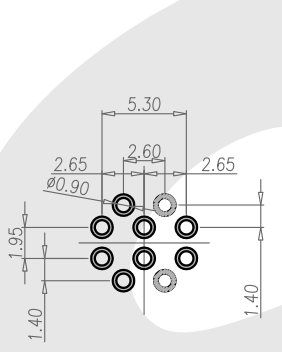
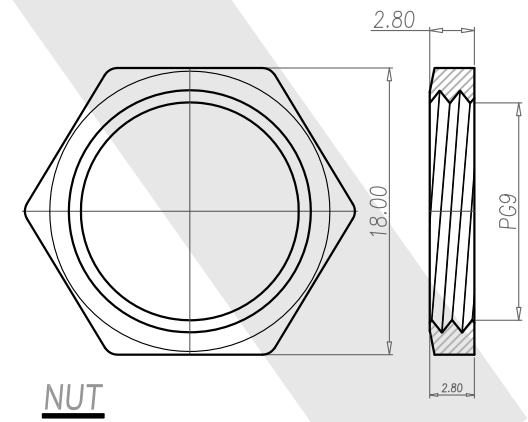
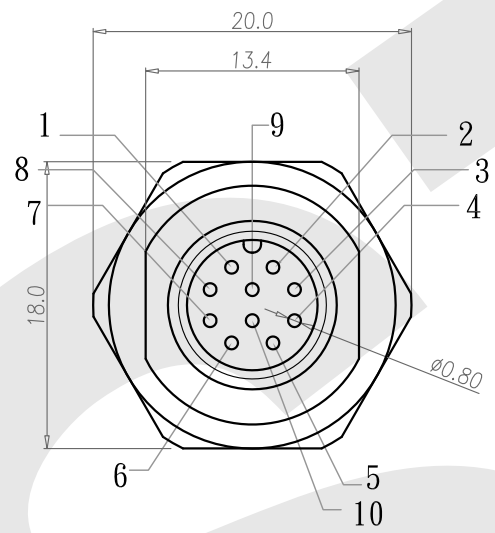
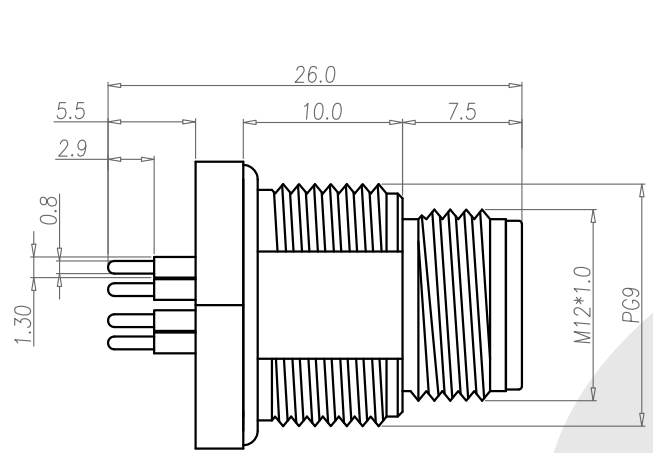


Rev	Revisions	Rev.Drawn	Date
A		Du	11/12/09*



1. MATERIAL :
 - 1-1. HOUSING : PBT UL94V-0 ; COLOR : BLACK
 - 1-2. CONTACT : BRASS
 - 1-3. NUT : BRASS
 - 1-4. SHELL : BRASS
 - 1-5. O-RING : EPDM
2. FINISH :
 - 2-1. CONTACT : 10 MICRO INCHES MIN. GOLD PLATED
UNDER PLATE : NICKEL
 - 2-2. NUT : NICKEL PLATED
 - 2-3. SHELL : NICKEL PLATED
3. ELECTRICAL SPECIFICATION :
 - 3-1. Rated current : 5A
 - 3-2. Rated Voltage : 125V
 - 3-3. Water proof : IPX7
4. Environmental :
 - 4-1. Operation Temperature : -40°C~85°C

RECOMMEND P.C.B LAYOUT RECOMMEND PANEL CUT-OUT

SST SOUTH SEA TERMINAL CO.,LTD

SGS Report No.:	Customer:	Part No.:	
			12M10P-B-A-FL-PG9-D-D-G10-B-N-2
Title: M12 MALE DIP TYPE FRONT LOCK for BOARD (PG9)			
Drawn By: Storm.Li	SCALE	SHEET	REV.
Checked By: du	1:1	1/1	A
Approved By: Tony	Thire angle Projection		DWG NO.:
	General Dimension Tolerance		
		mm	
			TOLERANCE:
			.x ±0.20
			.xx ±0.10
			.xxx ±0.05
			.xxxx ±0.03
			ANGULA ±1*