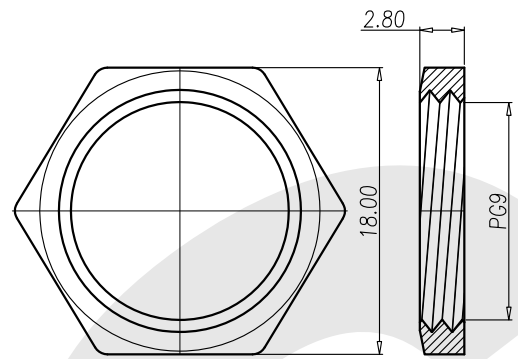
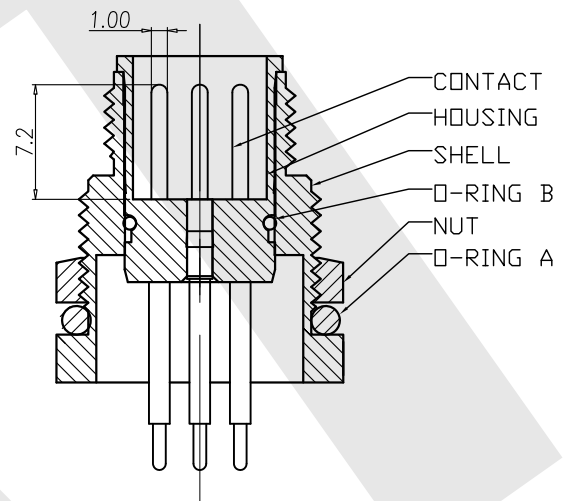
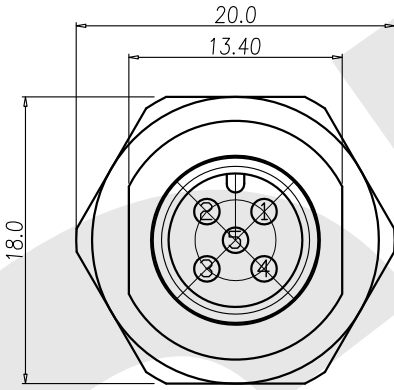
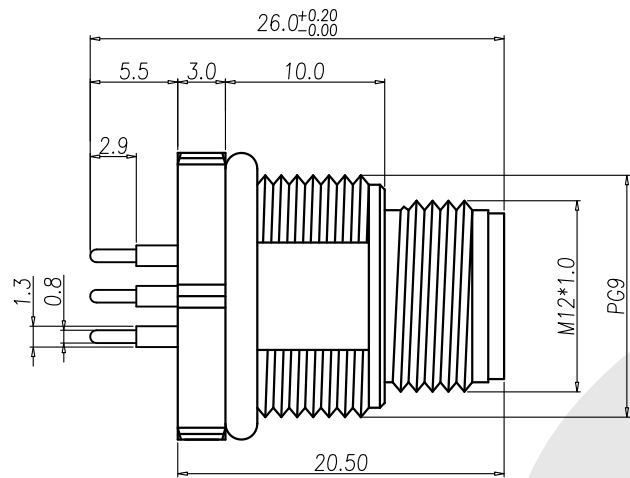
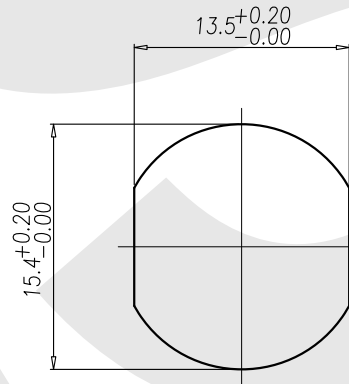
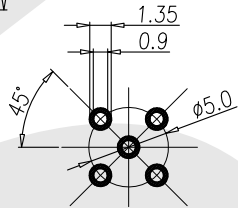


Rev	Revisions	Rev.Drawn	Date
A		Du	17/11/10



NUT



RECOMMEND P.C.B LAYOUT

RECOMMEND PANEL CUT-OUT

- MATERIAL :**
 - 1-1. HOUSING : PBT UL94V-0 ; COLOR : BLACK
 - 1-2. CONTACT : BRASS
 - 1-3. NUT : BRASS
 - 1-4. SHELL : BRASS
 - 1-5. O-RING A : EPDM ; COLOR : BLACK
 - 1-6. O-RING B : NBR ; COLOR : BLACK
- FINISH :**
 - 2-1. CONTACT : 10 MICRO INCHES MIN. GOLD PLATED
 - UNDER PLATE : NICKEL
 - 2-2. NUT : NICKEL PLATED
 - 2-3. SHELL : NICKEL PLATED
- ELECTRICAL SPECIFICATION :**
 - 3-1. Rated current : 5A
 - 3-2. Rated Voltage : 125V
 - 3-3. Water proof: IPX7
- Environmental :**
 - 4-1. Operation Temperature : -40℃~85℃

SST SOUTH SEA TERMINAL CO.,LTD

SGS Report No.:	Customer:	Part No.:
		12M5P-B-A-FL-PG9-D-D-G10-B-N-1
Title: M12 MALE DIP TYPE FRONT LOCK for BOARD (PG9)		
Drawn By: Storm.Li	SCALE	SHEET
Checked By: du	1:1	1/1
Approved By: Tony	REV.	A
	DWG NO.:	/
	TOLERANCE:	
	.x ±0.20	
	.xx ±0.10	
	.xxx ±0.05	
	.xxxx ±0.03	
	ANGULA ±1*	
	Third angle Projection	Units
	General Dimension Tolerance	mm