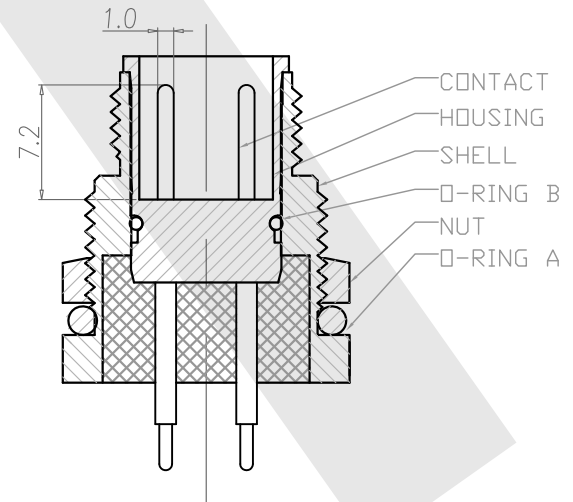
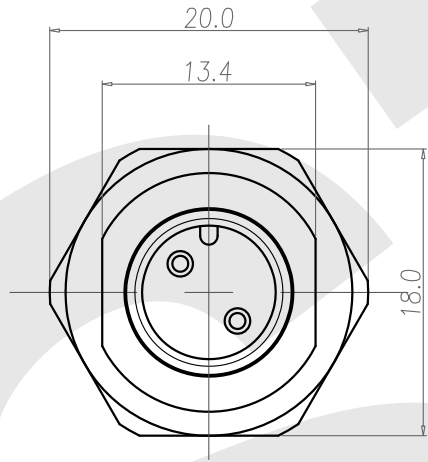
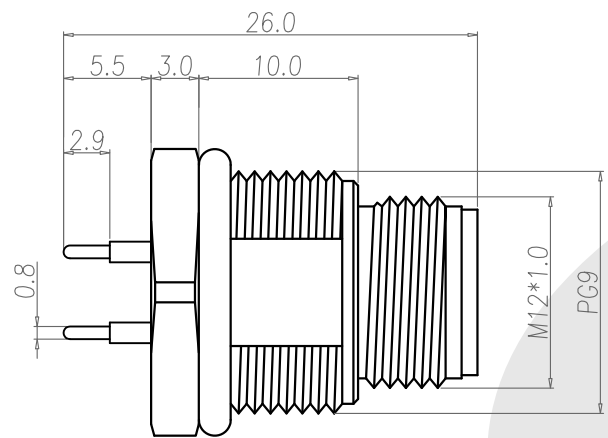
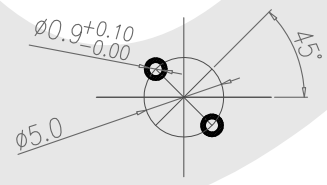
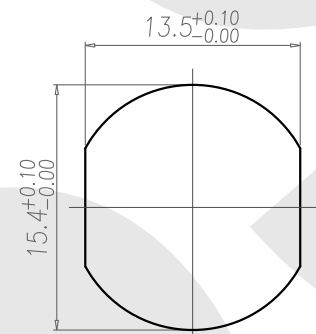
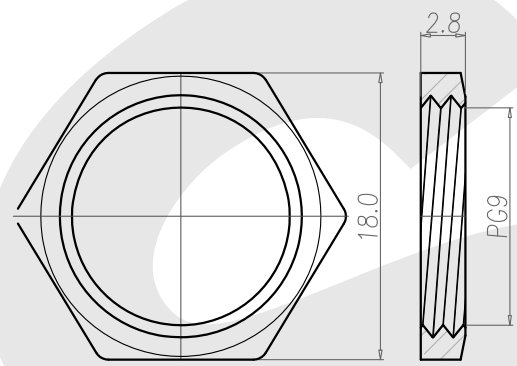


| | | | |
|-----|-----------|-----------|-----------|
| Rev | Revisions | Rev.Drawn | Date |
| A | | Du | 03/02/12" |



1. MATERIAL :
 - 1-1. HOUSING : PBT UL94V-0 ; COLOR : BLACK
 - 1-2. CONTACT : BRASS
 - 1-3. NUT : BRASS
 - 1-4. SHELL : BRASS
 - 1-5. O-RING A : EPDM ; COLOR : BLACK
 - 1-6. O-RING B : NBR ; COLOR : BLACK
2. FINISH :
 - 2-1. CONTACT : 10 MICRO INCHES MIN. GOLD PLATED UNDER PLATE : NICKEL
 - 2-2. NUT : NICKEL PLATED
 - 2-3. SHELL : NICKEL PLATED
3. ELECTRICAL SPECIFICATION :
 - 3-1. Rated current : 5A
 - 3-2. Rated Voltage : 125V
 - 3-3. Water proof: IPX7
4. Environmental :
 - 4-1. Operation Temperature : -40°C~85°C



NUT

RECOMMEND PANEL CUT-OUT RECOMMEND P.C.B LAYOUT

SST SOUTH SEA TERMINAL CO.,LTD

| | | |
|-----------------------------------------------------|--------------------------------|-----------|
| SGS Report No.: | Customer: | Part No.: |
| | 12M2P-B-A-FL-PG9-D-D-G10-B-N-1 | |
| Title: M12 MALE DIP TYPE FRONT LOCK for BOARD (PG9) | | |
| Drawn By: Storm.Li | SCALE | SHEET |
| Checked By: du | 1:1 | 1/1 |
| Approved By: Tony | REV. | A |
| | DWG NO.: | / |
| | Thire angle Projection | Units |
| | General Dimension Tolerance | mm |
| | TOLERANCE: | |
| | .x | ±0.20 |
| | .xx | ±0.10 |
| | .xxx | ±0.05 |
| | .xxxx | ±0.03 |
| | ANGULA | ±1° |