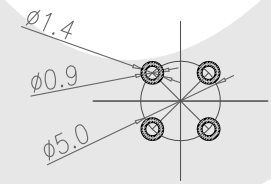
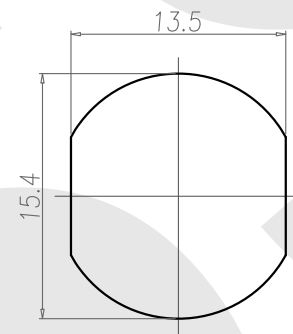
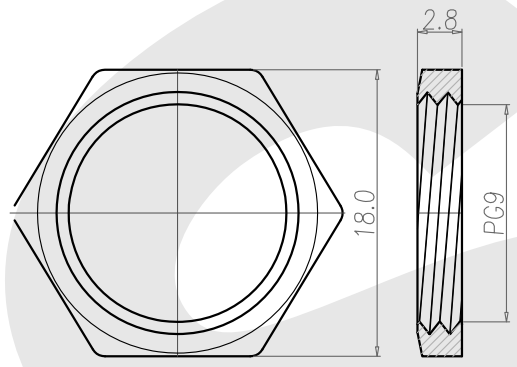
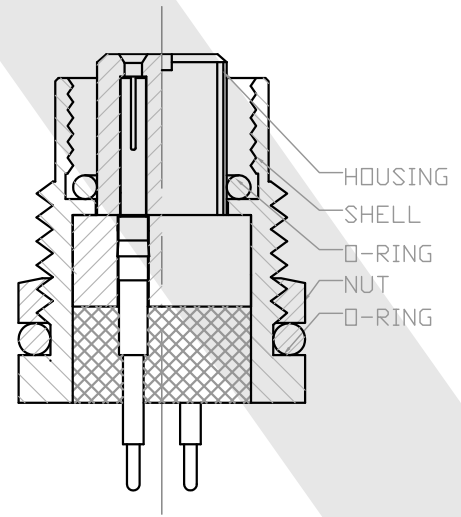
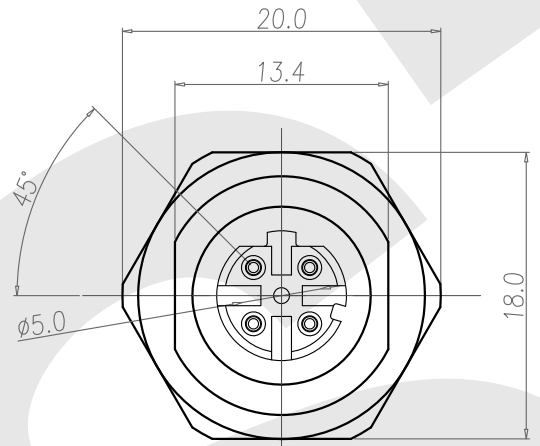
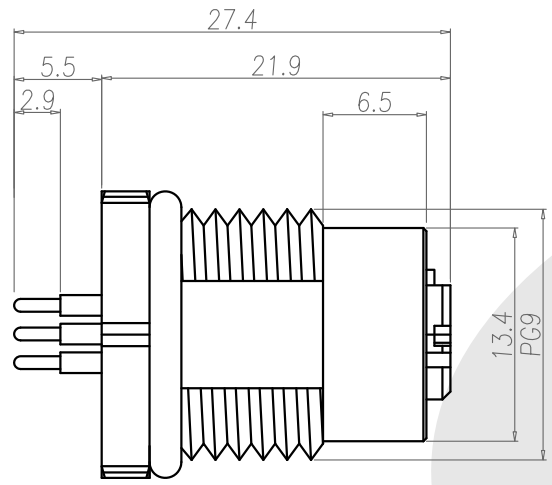


Rev	Revisions	Rev.Drawn	Date
A		Du	14/03/11"



1. MATERIAL :
 - 1-1. HOUSING : PBT UL94V-0 ; COLOR : BLACK
 - 1-2. CONTACT : BRASS
 - 1-3. NUT : BRASS
 - 1-4. SHELL : BRASS
 - 1-5. O-RING : EPDM
2. FINISH :
 - 2-1. CONTACT : 10 MICRO INCHES MIN. GOLD PLATED
UNDER PLATE : NICKEL
 - 2-2. NUT : NICKEL PLATED
 - 2-3. SHELL : NICKEL PLATED
3. ELECTRICAL SPECIFICATION :
 - 3-1. Rated current : 5A
 - 3-2. Rated Voltage : 125V
 - 3-3. Water proof: IPX7
4. Environmental :
 - 4-1. Operation Temperature : -40°C~85°C

NUT

RECOMMEND PANEL CUT-OUT RECOMMEND P.C.B LAYOUT

SST SOUTH SEA TERMINAL CO.,LTD

SGS Report No.:	Customer:	Part No.:
	12F4P-B-D-FL-PG9-D-D-G10-B-N	
Title: M12 FEMALE DIP TYPE FRONT LOCK for BOARD (PG9 / D CODE)		
Drawn By: Storm.Li	SCALE	SHEET
Checked By: du	1:1	1/1
Approved By: Tony	REV.	A
DWG NO.:		TOLERANCE:
Thire angle Projection		.x ±0.20
General Dimension Tolerance		.xx ±0.10
		.xxx ±0.05
		.xxxx ±0.03
		ANGULA ±1*
Units		
mm		