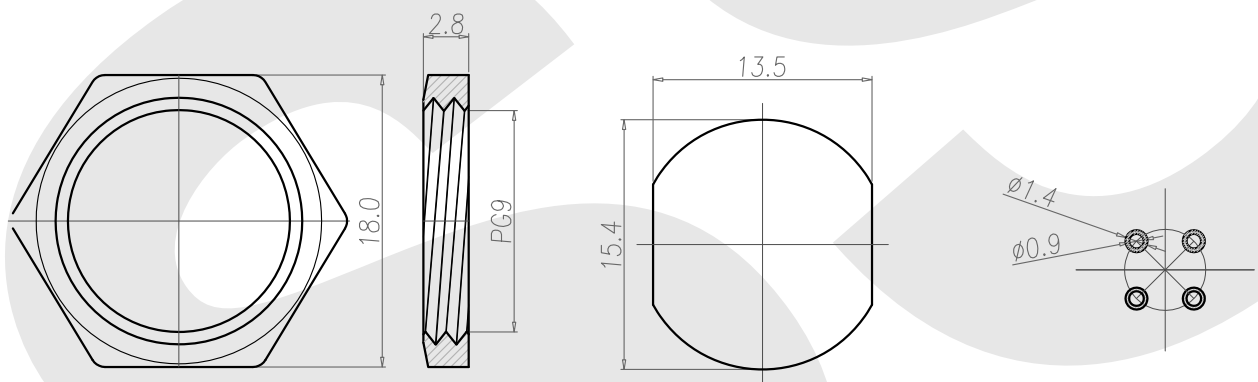
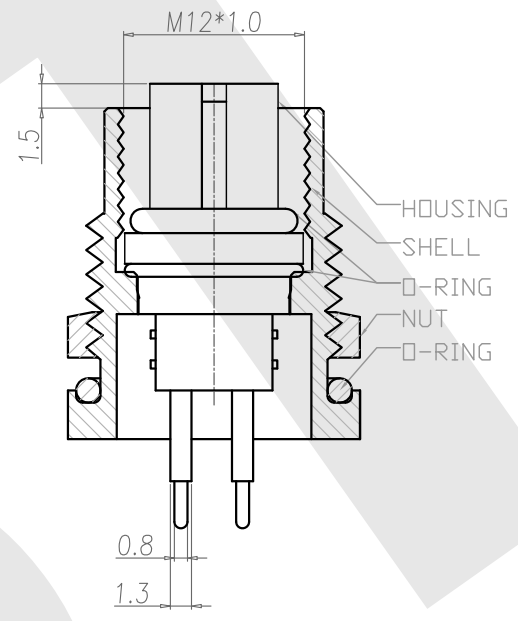
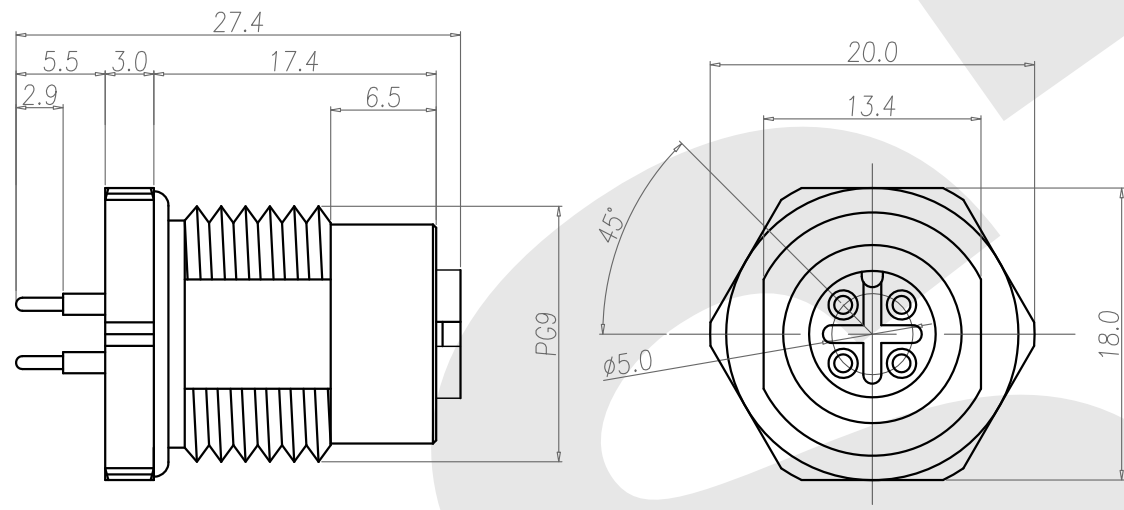


Rev	Revisions	Rev.Drawn	Date
A		Du	04/03/10*



- 1. MATERIAL :**
 1-1. HOUSING : PBT UL94V-0 ; COLOR : BLACK
 1-2. CONTACT : BRASS
 1-3. NUT : BRASS
 1-4. SHELL : BRASS
 1-5. O-RING : EPDM
- 2. FINISH :**
 2-1. CONTACT : 10 MICRO INCHES MIN. GOLD PLATED
 UNDER PLATE : NICKEL
 2-2. NUT : NICKEL PLATED
 2-3. SHELL : NICKEL PLATED
- 3. ELECTRICAL SPECIFICATION :**
 3-1. Rated current : 5A
 3-2. Rated Voltage :125V
 3-3. Water proof: IPX7
- 4. Environmental :**
 4-1. Operation Temperature : -40℃~85℃

NUT

RECOMMEND PANEL CUT-OUT RECOMMEND P.C.B LAYOUT

SST SOUTH SEA TERMINAL CO.,LTD

SGS Report No.:	Customer:	Part No.:
		12F4P-B-A-FL-PG9-D-D-G10-B-N
Title: M12 FEMALE DIP TYPE FRONT LOCK for BOARD (PG9/A CODE)		
Drawn By: Storm.Li	SCALE	SHEET
Checked By: du	/	1/1
Approved By: Tony	REV.	A
	DWG NO.:	/
Third angle Projection		TOLERANCE: X. ±2MM .X ±0.25MM .XX ±0.1MM .XXX±0.1MM
General Dimension Tolerance		
		Units mm