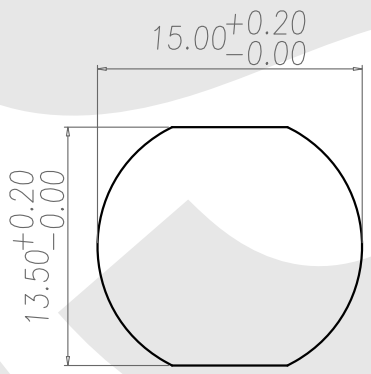
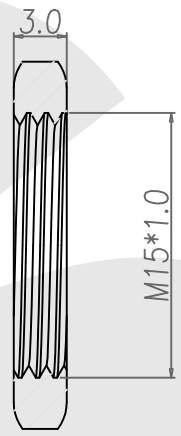
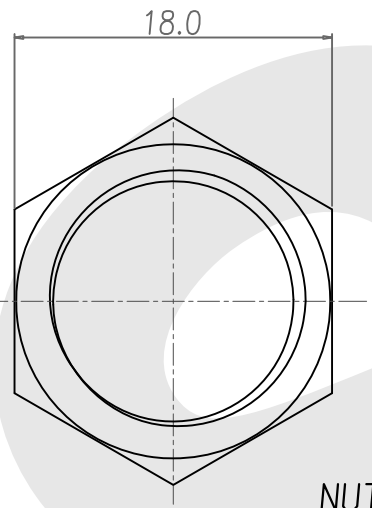
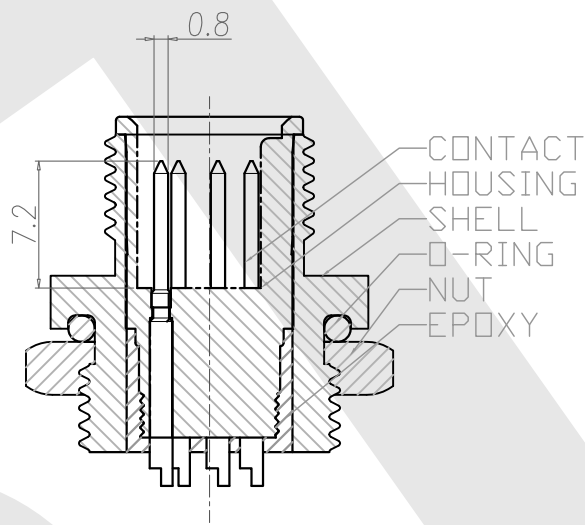
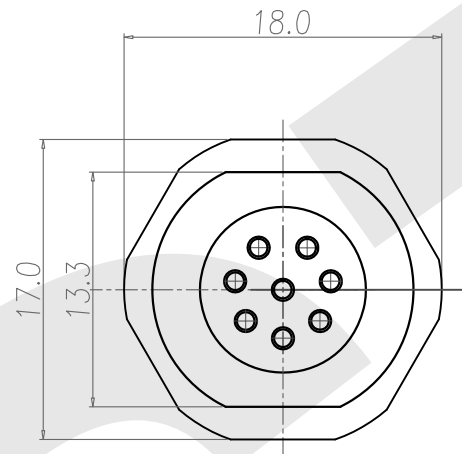
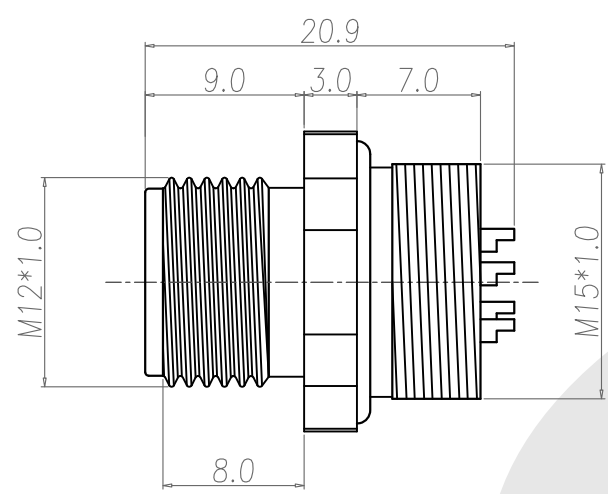


Rev	12	13	14
	Revisions	Rev.Drawn	Date
A		Du	24/12/09



PANEL CUT-OUT

- MATERIAL :**
 - 1-1. HOUSING : PBT UL94V-0 ; COLOR : BLACK
 - 1-2. CONTACT : BRASS
 - 1-3. NUT : BRASS
 - 1-4. O-RING : EPDM ; COLOR : BLACK
 - 1-5. SHELL : BRASS
 - 1-6. EPOXY BASE :EF400A&EF400B.COLOR:BLACK
- FINISH :**
 - 2-1. CONTACT A : 10 MICRO INCHES MIN. GOLD PLATED
UNDER PLATE : NICKEL
 - 2-2. NUT : NICKEL PLATED.
 - 2-3. SHELL : NICKEL PLATED.
- ELECTRICAL SPECIFICATION :**
 - 3-1. Rated current : 5A
 - 3-2. Rated Voltage :125V
 - 3-3. Water proof: IPX7
- Environmental :**
 - 4-1. Operation Temperature : -40°C~85°C

SST SOUTH SEA TERMINAL CO.,LTD

SGS Report No.:	Customer:	Part No.:
		12M8P-B-A-BL-15x1.0-D-S-G10-B-N-2
Title:M12 MALE SOLDER TYPE BACK LOCK for PANEL (M15)		
Drawn By:Storm.Li	SCALE	SHEET
Checked By:du	1:1	1/1
Approved By:Tony	REV.	DWG NO.:
	A	/
Thire angle Projection		Units
General Dimesion Tolerance		
		mm
		TOLERANCE:
		.x ±0.20
		.xxx ±0.10
		.xxxx ±0.05
		.xxxxx ±0.03
		ANGULA ±1°