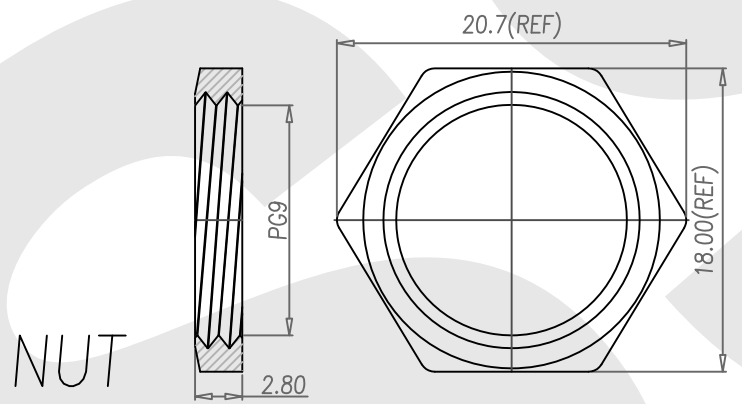
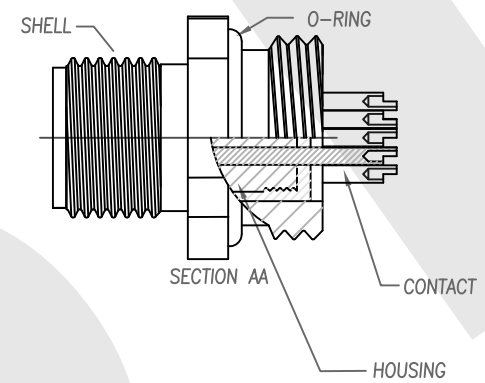
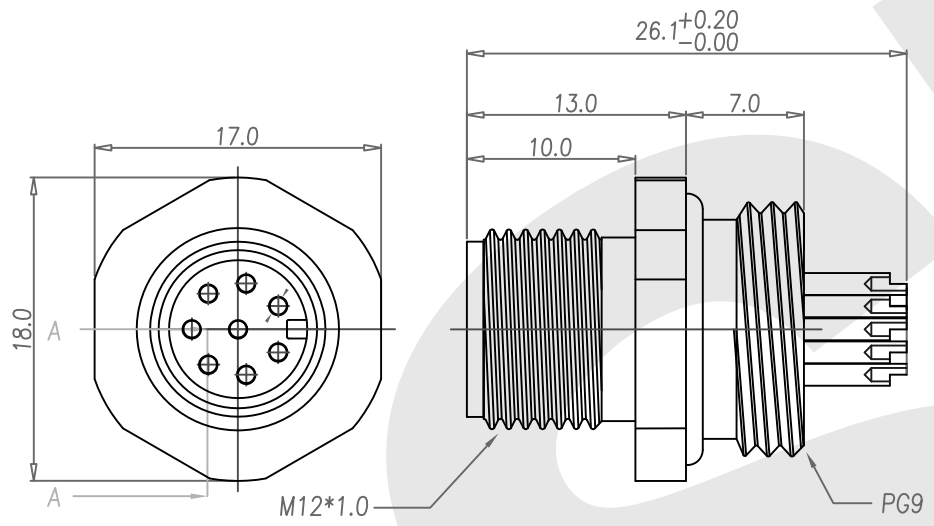


Rev	Revisions	Rev.Drawn	Date
A		Du	02.Apr.2013



1. MATERIAL :
 - 1-1. HOUSING : PBT UL94V-0 ; COLOR : BLACK
 - 1-2. CONTACT : BRASS
 - 1-3. SHELL: BRASS
 - 1-4. O-RING :NBR; COLOR : BLACK
 - 1-5. NUT : BRASS
2. FINISH :
 - 2-1. CONTACT :10 MICRO INCHES MIN. GOLD PLATING OVER NICKEL
 - 2-2. SHELL : NICKEL PLATED 60u" ~ 100u" OVER ALL
 - 2-3. NUT : NICKEL PLATED 60u" ~ 100u" OVER ALL
3. ELECTRICAL SPECIFICATION :
 - 3-1. Rated current : 5A
 - 3-2. Voltage :125V
 - 3-3. Water proof: IPX7
4. Environmental :
 - 4-1. Operation Temperature : -20 ℃~85℃

SST SOUTH SEA TERMINAL CO.,LTD

SGS Report No.:	Customer:	Part No.:
	12MBP-B-A-BL-PG9-C-S-G10-B-N	
Title:M12 MALE SOLDER TYPE BACK LOCK for PANEL (PG9)		
Drawn By:Storm.Li	SCALE	SHEET
Checked By:du	1:1	1/1
Approved By: Tony	Thire angle Projection	REV. A
General Dimension Tolerance		DWG NO.:
		/
		Units
		mm
		TOLERANCE:
		.x ±0.20
		.xx ±0.10
		.xxx ±0.05
		.xxxx ±0.03
		ANGULA ±1°