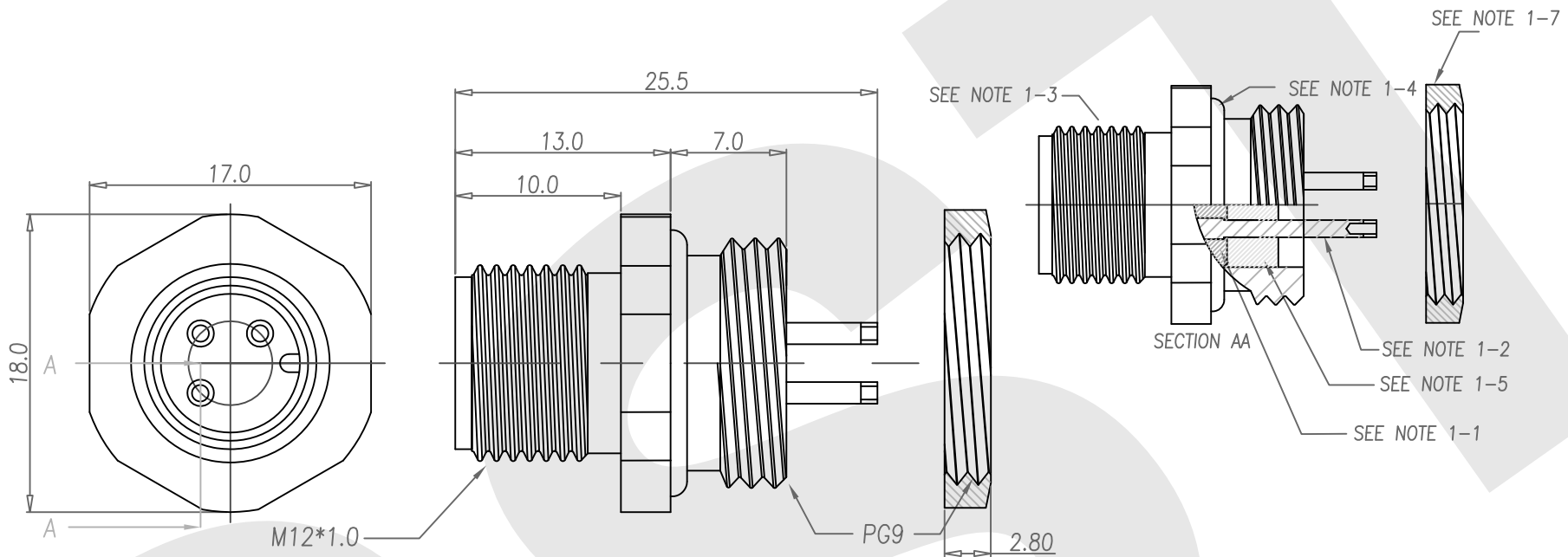


Rev	Revisions	Rev.Drawn	Date
A		Du	17/01/08*



- NOTE
1. MATERIAL
  - 1-1.INSULATION: THERMOPLASTIC UL94V-0  
COLOR: BLACK.
  - 1-2.CONTACT: BRASS ;CONTACT PLATED 10u" GOLD,  
AER Nickel
  - 1-3.SHELL: BRASS ;PLATED Nickel
  - 1-4.O-RingA: NBR COLOR: BLACK.
  - 1-5.Epoxy Base :EF400A&EF400B.  
COLOR:BLACK
  - 1-6.NUT : BRASS ;PLATED Nickel

**SST** SOUTH SEA TERMINAL CO.,LTD

SGS Report No.:	Customer:	Part No.:
		12M3P-B-A-BL-PG9-C-S-G10-B-N
Title:M12 MALE SOLDER TYPE BACK LOCK for PANEL (PG9)		
Drawn By:Storm.Li	SCALE	SHEET
Checked By:du	1:1	1/1
Approved By: Tony	REV.	A
	DWG NO.:	/
	Thire angle Projection	Units
	General Dimension Tolerance	mm
		TOLERANCE:
		.x ±0.20
		.xx ±0.10
		.xxx ±0.05
		.xxxx ±0.03
		ANGULA ±1*