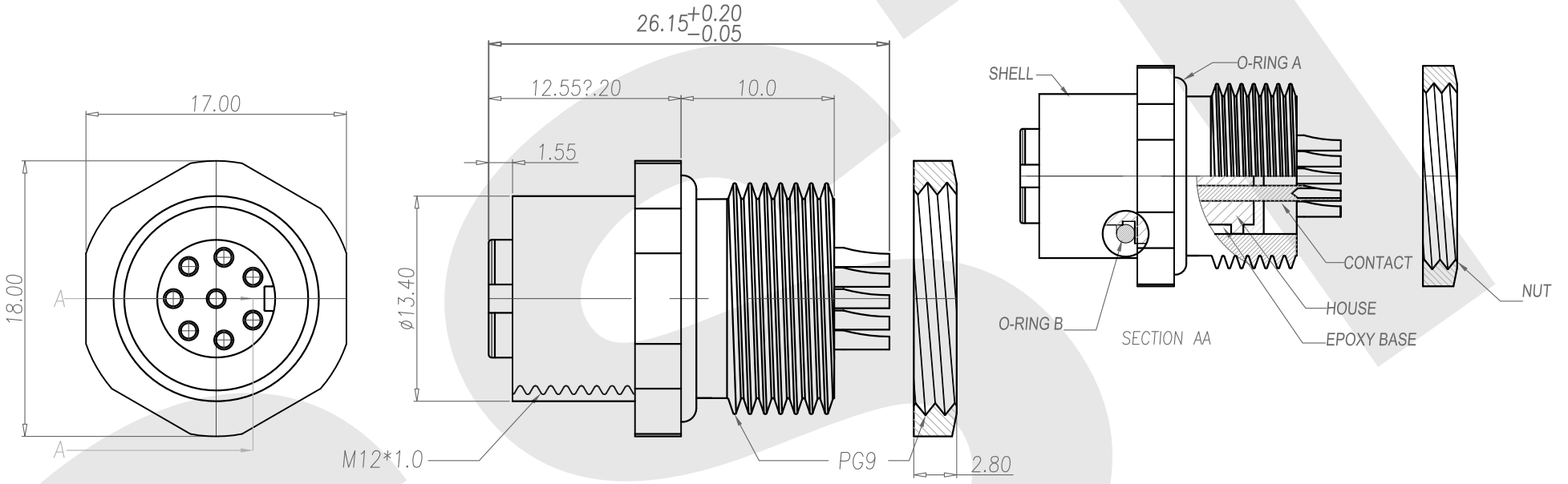


Rev	Revisions	Rev.Drawn	Date
A		Du	31/12/08



1. MATERIAL :
  - 1-1. HOUSING : THERMOPLASTIC UL94V-0 ; COLOR : BLACK
  - 1-2. CONTACT : COPPER ALLOY
  - 1-3. SHELL : COPPER ALLOY
  - 1-4. O-RING A: NBR; COLOR : BLACK.
  - 1-5. O-RING B: EPDM; COLOR : BLACK
  - 1-6. Epoxy Base
  - 1-7. NUT : COPPER ALLOY
2. FINISH :
  - 2-1. CONTACT :10 MICRO INCHES MIN. GOLD PLATED
  - 2-2. SHELL : NICKEL PLATED 60u" ~ 100u"
  - 2-2. NUT : NICKEL PLATED 60u" ~ 100u"
3. ELECTRICAL SPECIFICATION :
  - 3-1. Rated current : 5A
  - 3-2. Rated Voltage : 125V
  - 3-3. Water proof : IP67
4. Environmental :
  - 4-1. Operation Temperature : -40 ℃~85℃

**SST SOUTH SEA TERMINAL CO.,LTD**

SGS Report No.:	Customer:	Part No.:
		12FBP-B-A-BL-PG9-C-5-G10-B-N-2
Title:M12 FEMALE SOLDER TYPE BACK LOCK for PANEL (PG9)		
Drawn By:Storm.Li	SCALE	SHEET
Checked By:du	1:1	1/1
Approved By: Tony	REV.	A
	DWG NO.:	/
	TOLERANCE:	
	.x ±0.20	
	.xx ±0.10	
	.xxx ±0.05	
	.xxxx ±0.03	
	ANGULA ±1*	
	Thire angle Projection	Units
	General Dimension Tolerance	mm