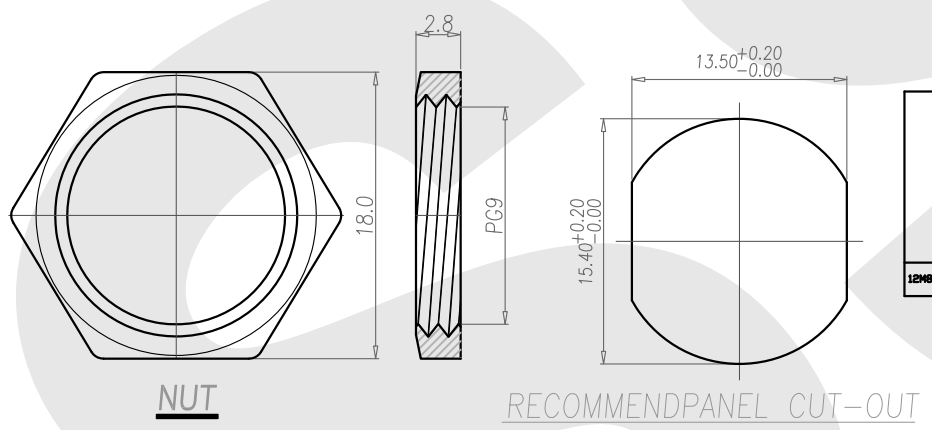
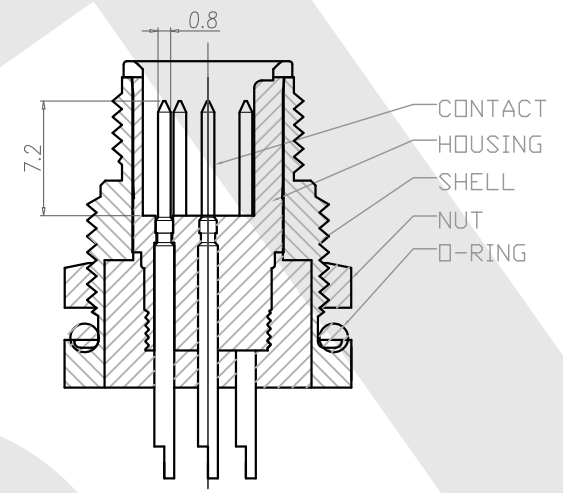
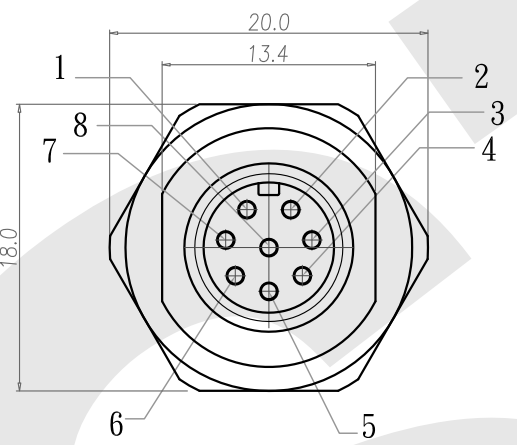
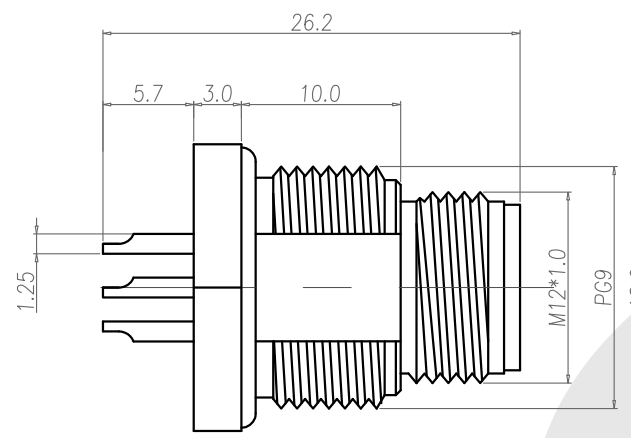
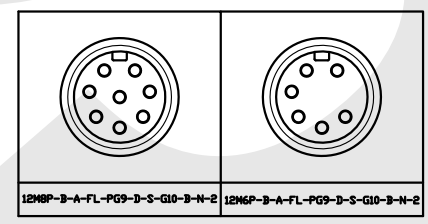


Rev	Revisions	Rev.Drawn	Date
A			



- MATERIAL :**
  - 1-1. HOUSING : PBT UL94V-0 ; COLOR : BLACK
  - 1-2. CONTACT : BRASS
  - 1-3. NUT : BRASS
  - 1-4. SHELL : BRASS
  - 1-5. O-RING : NBR COLOR : BLACK
- FINISH :**
  - 2-1. CONTACT : 10 MICRO INCHES MIN. GOLD PLATED UNDER PLATE : NICKEL
  - 2-2. NUT : NICKEL PLATED 60u" ~ 100u" OVER ALL
  - 2-3. SHELL : NICKEL PLATED 60u" ~ 100u" OVER ALL
- ELECTRICAL SPECIFICATION :**
  - 3-1. Rated current : 5A
  - 3-2. Rated Voltage : 125V
  - 3-3. Water proof: IPX7
- Environmental :**
  - 4-1. Operation Temperature : -20°C~85°C



**SST SOUTH SEA TERMINAL CO.,LTD**

SGS Report No.:	Customer:	Part No.:	
			12MBP-B-A-FL-PG9-D-S-G10-B-N-2
Title: M12 MALE SOLDER TYPE FRONT LOCK for CABLE (PG9)			
Drawn By: Storm.Li	SCALE	SHEET	REV.
Checked By: du	1:1	1/1	A
Approved By: Tony	Thire angle Projection General Dimesion Tolerance		DWG NO.:
		/	
			TOLERANCE:
			.x ±0.20
			.xx ±0.10
			.xxx ±0.05
			.xxxx ±0.03
			ANGULA ±1°