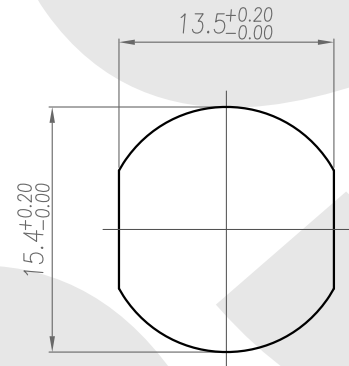
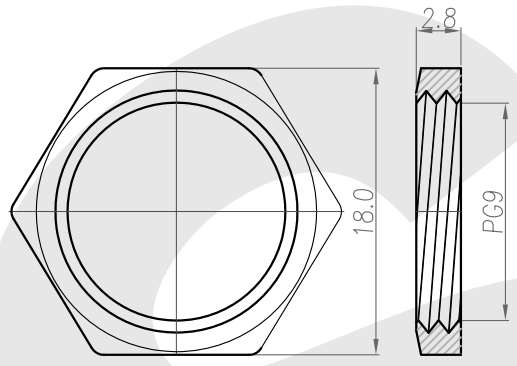
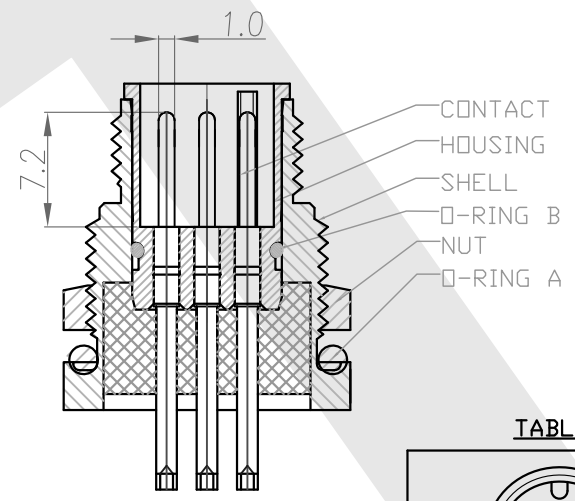
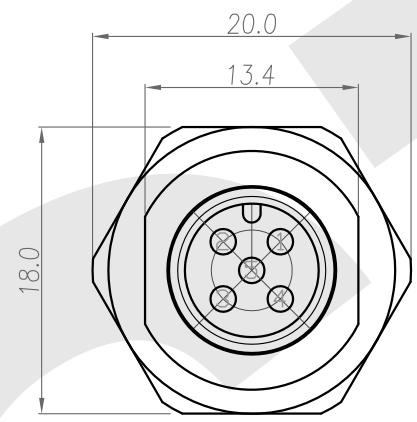
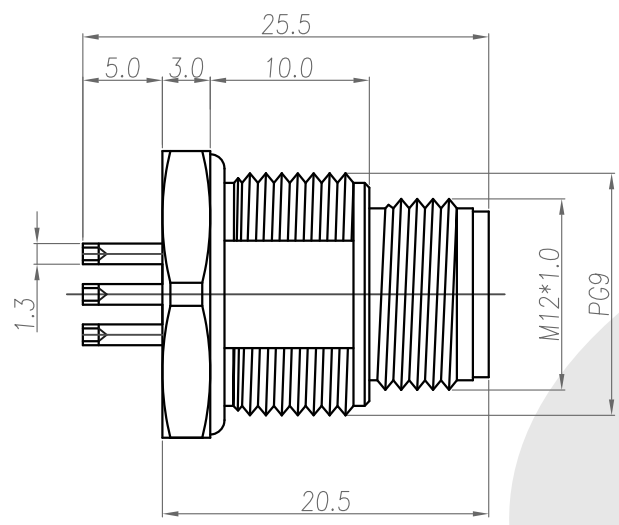


Rev	Revisions	Rev.Drawn	Date
A	RELEASE	Fido Weng	18/02/13'
B	ADD P/N	Du	29/10/13'



1. MATERIAL :
  - 1-1. HOUSING : PBT UL94V-0 ; COLOR : BLACK
  - 1-2. CONTACT : BRASS
  - 1-3. NUT : BRASS
  - 1-4. SHELL : BRASS
  - 1-5. O-RING A : NBR ; COLOR : BLACK
  - 1-6. O-RING B : SILICONE ; COLOR : BLACK
2. FINISH :
  - 2-1. CONTACT : 10 MICRO INCHES MIN. GOLD PLATED  
UNDER PLATE : NICKEL
  - 2-2. NUT : NICKEL PLATED.
  - 2-3. SHELL : NICKEL PLATED.
3. ELECTRICAL SPECIFICATION :
  - 3-1. Rated current : 5A
  - 3-2. Rated Voltage :125V
  - 3-3. Water proof: IPX7
4. Environmental :
  - 4-1. Operation Temperature : -20°C~85°C

TABLE A

12M5P-B-A-FL-PG9-D-S-G10-B-N-1
B 12M4P-B-A-FL-PG9-D-S-G10-B-N-1
12M3P-B-A-FL-PG9-D-S-G10-B-N-1

**SST SOUTH SEA TERMINAL CO.,LTD**

SGS Report No.:	Customer:	Part No.:
		12M5P-B-A-FL-PG9-D-S-G10-B-N-1
Title: M12 MALE SOLDER TYPE FRONT LOCK for PANEL (PG9)		
Drawn By: Storm.Li	SCALE	SHEET
Checked By: du	1:1	1/1
Approved By: Tony	REV.	A
	DWG NO.:	
	/	
	TOLERANCE:	
	.x ±0.20	
	.xx ±0.10	
	.xxx ±0.05	
	.xxxx ±0.03	
	ANGULA ±1°	
	Thire angle Projection	Units
	General Dimesion Tolerance	mm

RECOMMEND PANEL CUT-OUT

NUT