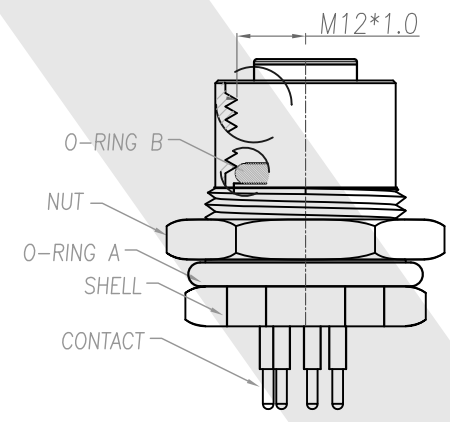
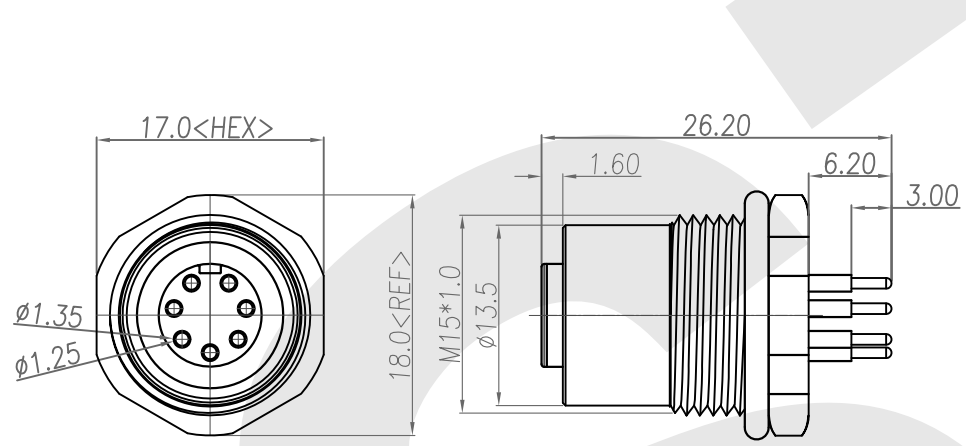
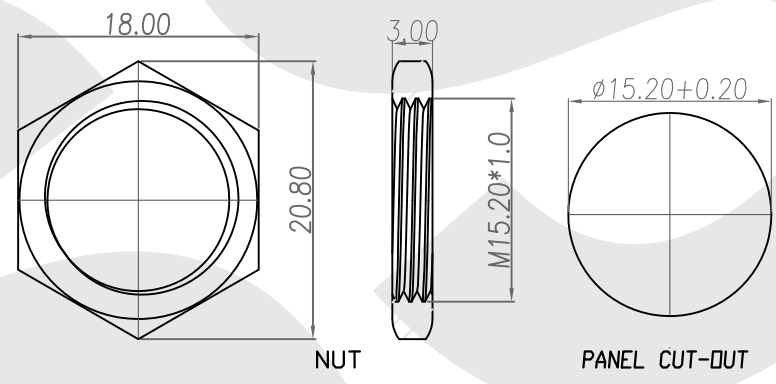
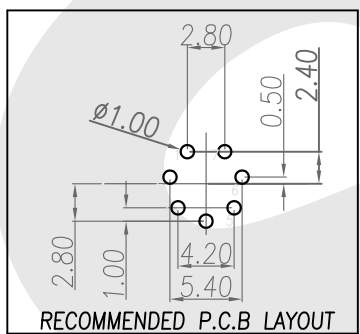


Rev	Revisions	Rev.Drawn	Date
A		Du	12/03/13"



1. MATERIAL :
  - 1-1. HOUSING : PBT UL94V-0 ; COLOR : BLACK
  - 1-2. CONTACT : BRASS
  - 1-3. SHELL : BRASS
  - 1-4. NUT : BRASS
  - 1-5. O-RING A : NBR ; COLOR : BLACK
  - 1-6. O-RING B : EPDM ; COLOR : BLACK
2. FINISH :
  - 2-1. CONTACT : 10 MICRO INCHES MIN. GOLD PLATED
  - UNDER PLATE : NICKEL
  - 2-2. SHELL : NICKEL PLATED.
  - 2-3. NUT : NICKEL PLATED.
3. ELECTRICAL SPECIFICATION :
  - 3-1. Rated current : 5A
  - 3-2. Rated Voltage :125V
  - 3-3. Water proof: IPX7
4. Environmental :
  - 4-1. Operation Temperature : -40 °C~85°C



**SST** SOUTH SEA TERMINAL CO.,LTD

SGS Report No.: Customer: Part No.:  
12F7P-B-A-FL-15x1.0-C-S-G10-B-N-2

Title: M12 FEMALE SOLDER TYPE FRONT LOCK for PANEL (M15/B CODE)

Drawn By: Storm.Li	SCALE	SHEET	REV.	DWG NO.:	TOLERANCE:
Checked By: du	1:1	1/1	A	/	.x ±0.20
Approved By: Tony	Thire angle Projection			Units	.xx ±0.10
	General Dimension Tolerance				.xxx ±0.05
				mm	.xxxx ±0.03
					ANGULA ±1*