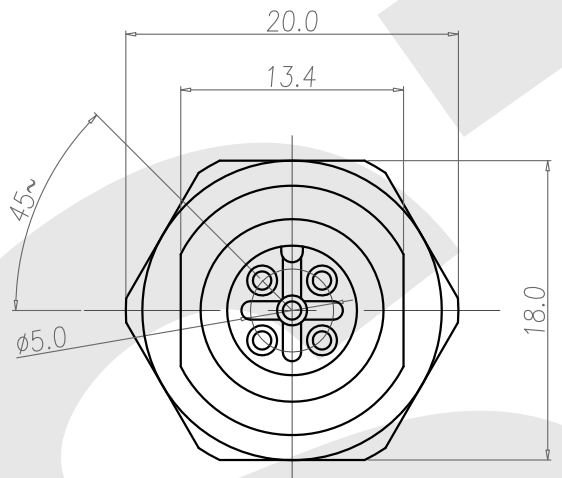
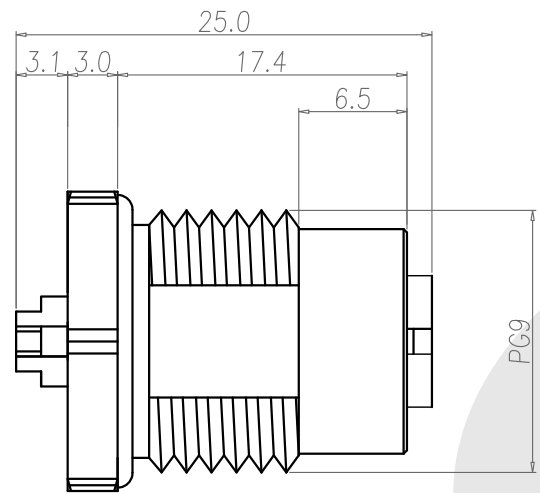
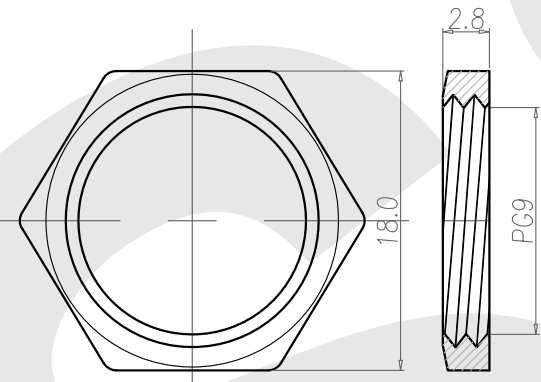


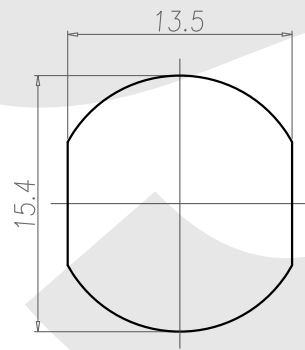
Rev	Revisions	Rev.Drawn	Date
A		Du	19.Sep.2012



- MATERIAL :**
 - 1-1. HOUSING : PBT UL94V-0 ; COLOR : BLACK
 - 1-2. CONTACT : BRASS
 - 1-3. NUT : BRASS
 - 1-4. SHELL : BRASS
 - 1-5. O-RING : SILICONE ; COLOR : GREEN
 - 1-6. O-RING : EPDM ; COLOR : BLACK
- FINISH :**
 - 2-1. CONTACT : 10 MICRO INCHES MIN. GOLD PLATED
UNDER PLATE : NICKEL
 - 2-2. NUT : NICKEL PLATED
 - 2-3. SHELL : NICKEL PLATED
- ELECTRICAL SPECIFICATION :**
 - 3-1. Rated current : 5A
 - 3-2. Rated Voltage : 125V
 - 3-3. Water proof : IP67
- Environmental :**
 - 4-1. Operation Temperature : -40°C~85°C



NUT



RECOMMEND PANEL CUT-OUT

TABLE A

12F4P-B-A-FL-PG9-D-S-G10-B-N-1	12F5P-B-A-FL-PG9-D-S-G10-B-N-1

SST SOUTH SEA TERMINAL CO.,LTD

SGS Report No.:	Customer:	Part No.:
		12F5P-B-A-FL-PG9-D-S-G10-B-N-1
Title: M12 FEMALE SOLDER TYPE FRONT LOCK for PANEL (PG9)		
Drawn By: Storm.Li	SCALE	SHEET
Checked By: du	1:1	1/1
Approved By: Tony	REV.	A
	DWG NO.:	/
	Third angle Projection	Units
	General Dimension Tolerance	mm
	TOLERANCE:	
	.x	±0.20
	.xx	±0.10
	.xxx	±0.05
	.xxxx	±0.03
	ANGULA	±1°