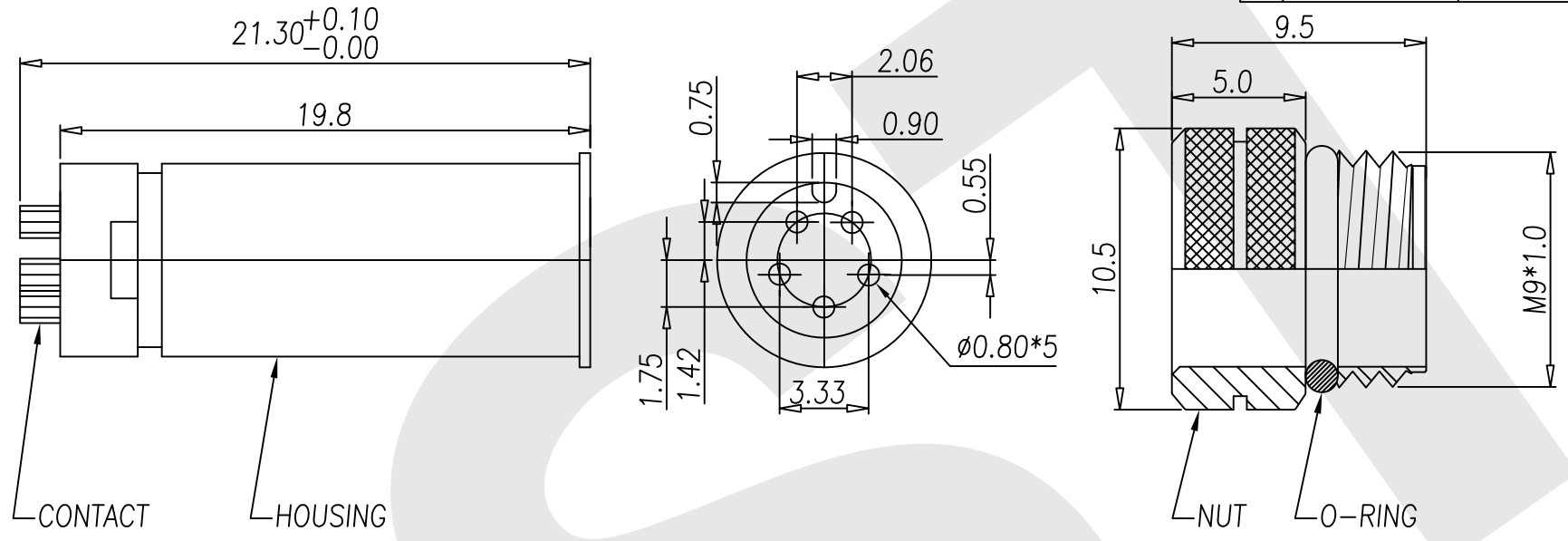
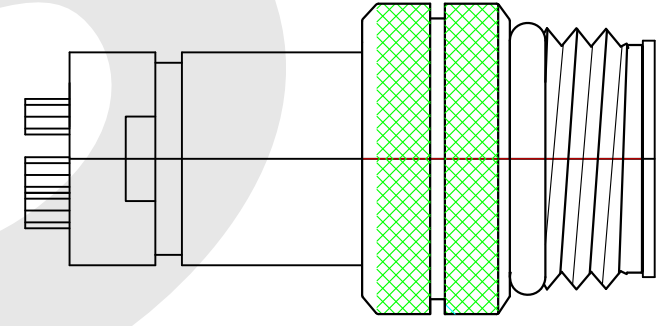


Rev	Revisions	Rev.Drawn	Date
A		Du	25.11.2008



1. MATERIAL :
 - 1-1. HOUSING : PBT UL94V-0 ; COLOR : BLACK
 - 1-2. CONTACT : BRASS
 - 1-3. O-RING :NBR; COLOR : BLACK
 - 1-4. NUT : BRASS
2. FINISH :
 - 2-1. CONTACT : 10 MICRO INCHES MIN. GOLD PLATED
UNDER PLATE : NICKEL
 - 2-2. NUT : NICKEL PLATED 60u" ~ 100u" OVER ALL
3. ELECTRICAL SPECIFICATION :
 - 3-1. Rated current : 5A
 - 3-2. Voltage :125V
 - 3-3. Water proof: IPX7
4. Environmental :
 - 4-1. Operation Temperature : -40 °C~85°C



SGS Report No.:		SST SOUTH SEA TERMINAL CO.,LTD		Customer:		Part No.:	
						9M5P-W-A-9.5-P-2-G10-B-N	
Title: M9 MALE SOLDER TYPE for CABLE		SCALE		SHEET		REV.	
Drawn By: Storm.Li		1:1		1/1		A	
Checked By: du		Thire angle Projection		DWG NO.:		TOLERANCE:	
Approved By: Tony		General Dimension Tolerance		SST-081125-01		X. ±2MM	
		Units		mm		.X ±0.25MM	
						.XX ±0.1MM	
						.XXX±0.1MM	