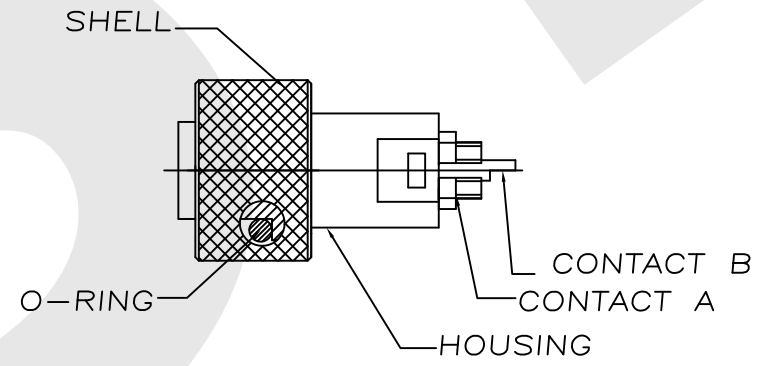
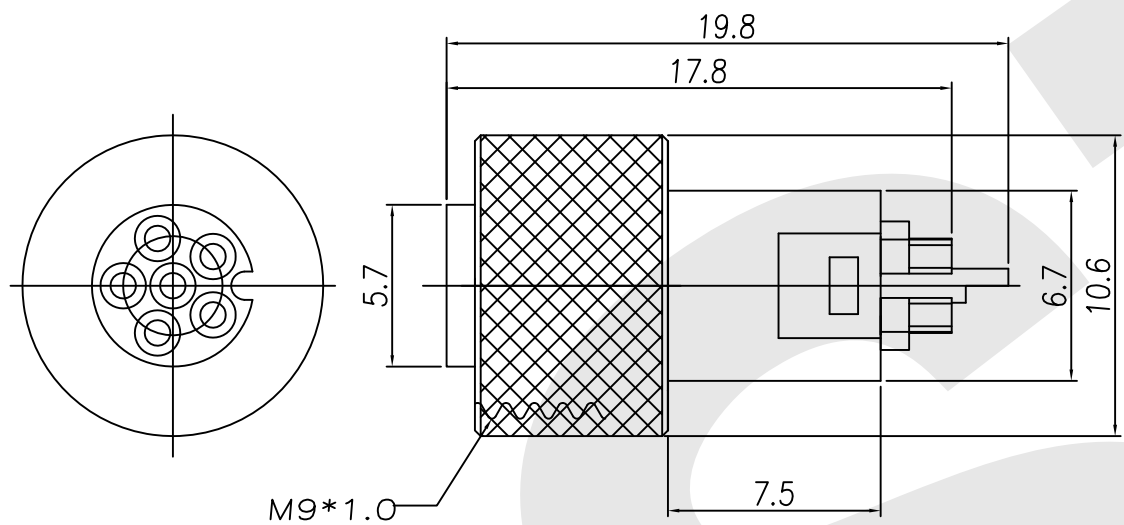


Rev	Revisions	Rev.Drawn	Date
A		Du	25.11.2008



1. MATERIAL :
 - 1-1. HOUSING : PBT UL94V-0 ; COLOR : BLACK
 - 1-2. CONTACT A : BRASS
 - 1-3. CONTACT B : BRASS
 - 1-4. SHELL : BRASS
 - 1-5. O-RING :NBR; COLOR : BLACK
2. FINISH :
 - 2-1. CONTACT A : 10 MICRO INCHES MIN. GOLD PLATING OVER NICKEL
 - 2-2. CONTACT B : 10 MICRO INCHES MIN. GOLD PLATING OVER NICKEL
 - 2-3. SHELL : NICKEL PLATED 60u" ~ 100u" OVER ALL
3. ELETRICAL SPECIFICATION :
 - 3-1. Rated current : 5A
 - 3-2. Voltage :125V
 - 3-3. Water proof: IPX7
4. Environmental :
 - 4-1. Operation Temperature : -20 ℃~85℃

SST SOUTH SEA TERMINAL CO.,LTD

SGS Report No.:	Customer:	Part No.:
		9F6P-W-A-7.3-P-2-G10-B-N
Title: M9 FEMALE SOLDER TYPE for CABLE		
Drawn By: Storm.Li	SCALE	SHEET
Checked By: du	1:1	1/1
Approved By: Tony	REV.	A
	DWG NO.:	SST-081125-01
	Third angle Projection	TOLERANCE:
	General Dimension Tolerance	X. ±2MM
		.X ±0.25MM
		.XX ±0.1MM
		.XXX±0.1MM
	Units	mm