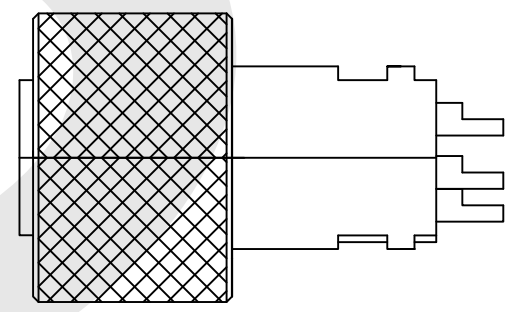
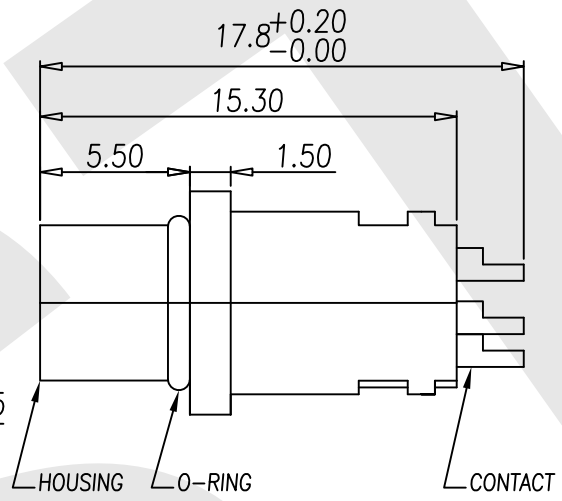
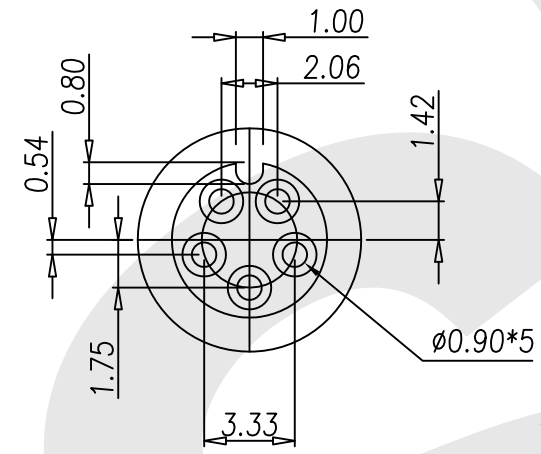
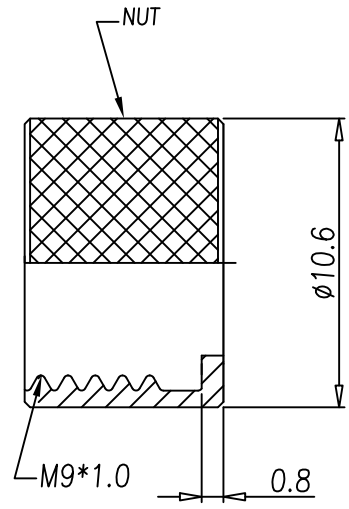


Rev	Revisions	Rev.Drawn	Date
A		Du	25.11.2008



1. MATERIAL :
 - 1-1. HOUSING : PBT UL94V-0 ; COLOR : BLACK
 - 1-2. CONTACT : BRASS
 - 1-3. O-RING :NBR; COLOR : BLACK
 - 1-4. NUT : BRASS
2. FINISH :
 - 2-1. CONTACT : 10 MICRO INCHES MIN. GOLD PLATED
UNDER PLATE : NICKEL
 - 2-2. NUT : NICKEL PLATED 60u" ~ 100u" OVER ALL
3. ELECTRICAL SPECIFICATION :
 - 3-1. Rated current : 5A
 - 3-2. Voltage :125V
 - 3-3. Water proof: IPX7
4. Environmental :
 - 4-1. Operation Temperature : -40 °C~85°C

SGS Report No.:		Customer:		Part No.:	
				9F5P-W-A-7.3-P-2-G10-B-N	
Title: M9 FEMALE SOLDER TYPE for CABLE					
Drawn By: Storm.Li	SCALE	SHEET	REV.	DWG NO.:	TOLERANCE:
Checked By: du	1:1	1/1	A	SST-081125-01	X. ±2MM .X ±0.25MM .XX ±0.1MM .XXX±0.1MM
Approved By: Tony	Third angle Projection			Units mm	
	General Dimension Tolerance				