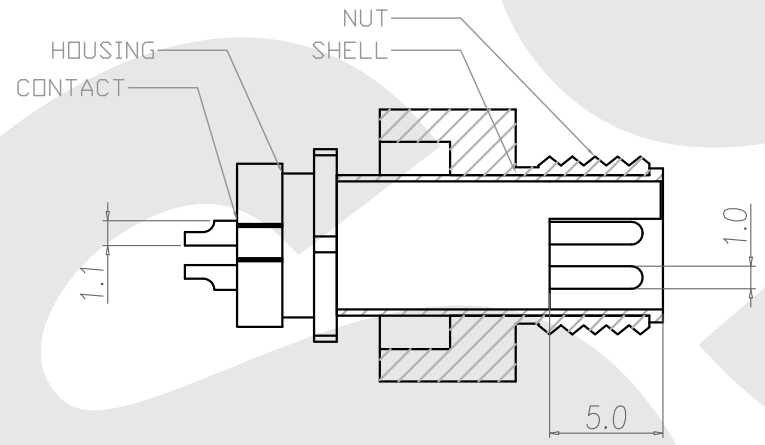
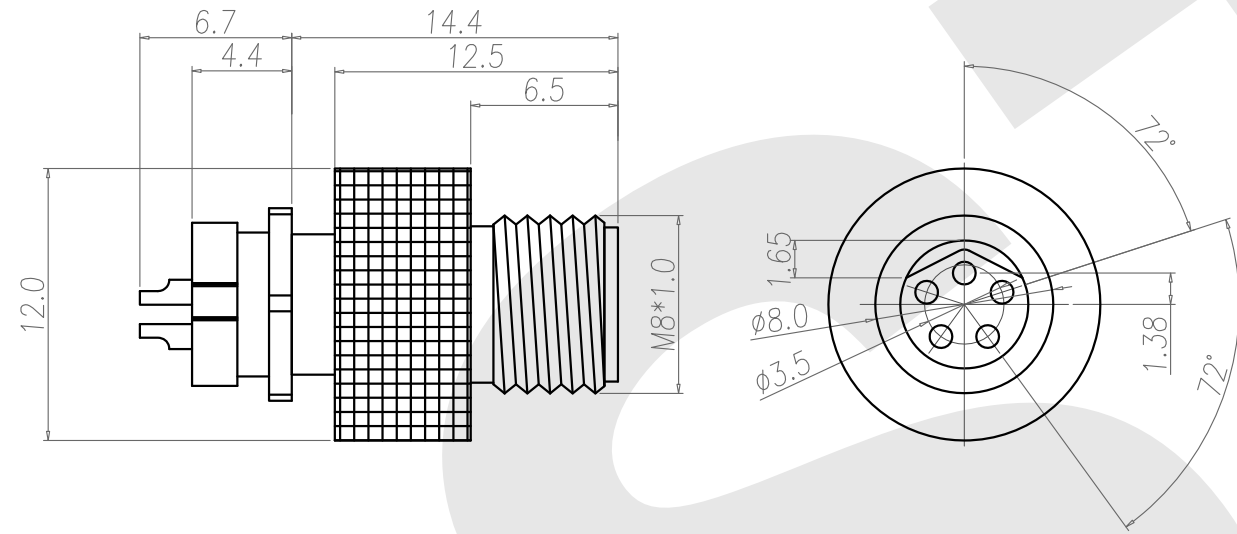


Rev	Revisions	Rev.Drawn	Date
A		Du	29.AUG.2011



- NOTE:**
- MATERIAL :**
    - 1-1. HOUSING : PBT UL94V-0 ; COLOR : BLACK
    - 1-2. CONTACT : BRASS.
    - 1-3. SHELL : BRASS.
    - 1-4. NUT : BRASS.
  - FINISH :**
    - 2-1. CONTACT : 10 MICRO INCHES MIN. GOLD PLATING OVER NICKEL
    - 2-2. SHELL : NICKEL PLATED.
    - 2-3. NUT : NICKEL PLATED.
  - ELECTRICAL SPECIFICATION :**
    - 3-1. Rated current : 5A
    - 3-2. Rated Voltage : 125V
    - 3-3. Water proof : IP67
  - Environmental :**
    - 4-1. Operation Temperature : -20 °C~85°C

**SST SOUTH SEA TERMINAL CO.,LTD**

SGS Report No.: Customer: Part No.:  
8M5P-W-F-12.5-M-1-G10-B-N-2

Title: M8 MALE SOLDER TYPE for CABLE (FOOL PROOFING/GROUND)

Drawn By: Storm.Li	SCALE	SHEET	REV.	DWG NO.:	TOLERANCE:
Checked By: du	1:1	1/1	A	SST-110829-02	.x ±0.20
Approved By: Tony	Third angle Projection				.xxx ±0.10
	General Dimension Tolerance				.xxxx ±0.03
				Units	ANGULA ±1°
				mm	