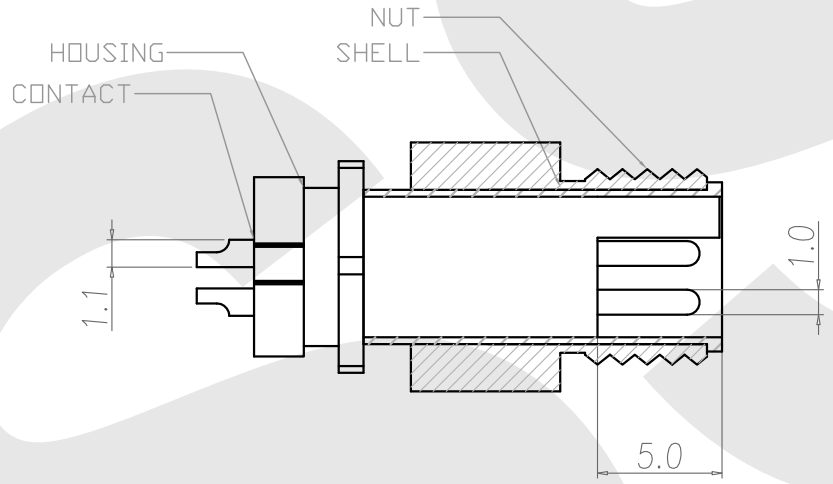
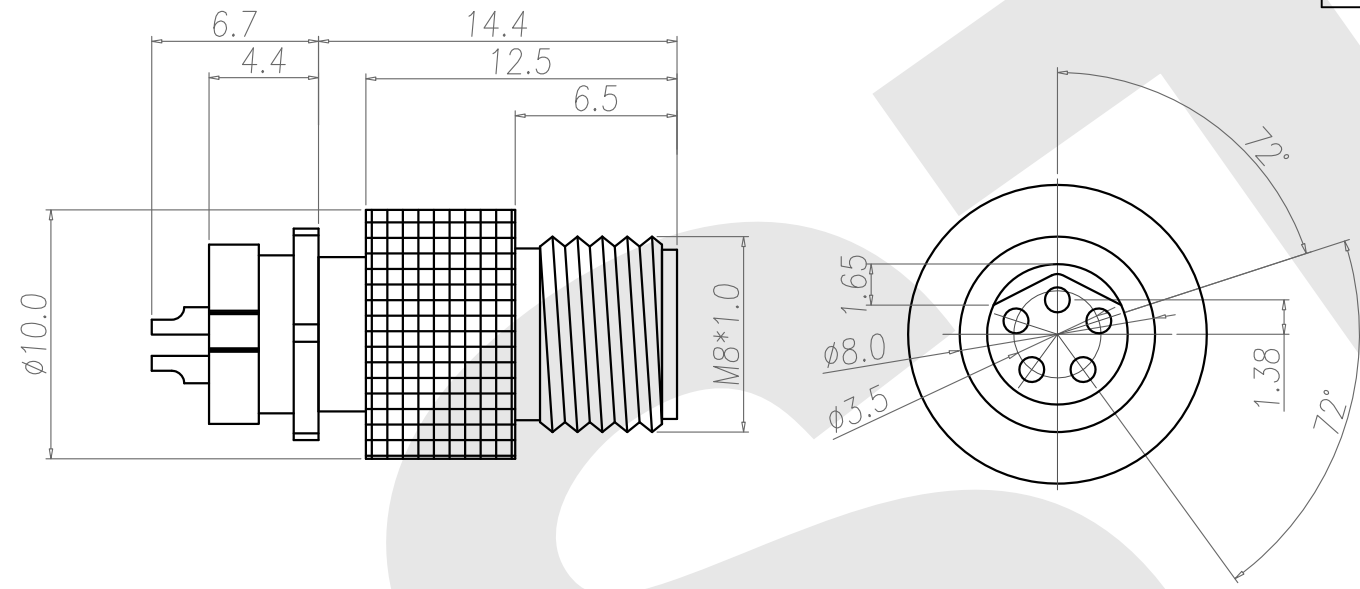


Rev	Revisions	Rev.Drawn	Date
A		Du	07.Mar.2013



**NOTE:**

1. MATERIAL :
  - 1-1. HOUSING : PBT UL94V-0 ; COLOR : BLACK
  - 1-2. CONTACT : BRASS.
  - 1-3. SHELL : BRASS.
  - 1-4. NUT : BRASS.
2. FINISH :
  - 2-1. CONTACT : 10 MICRO INCHES MIN. GOLD PLATING OVER NICKEL
  - 2-2. SHELL : NICKEL PLATED.
  - 2-3. NUT : NICKEL PLATED.
3. ELECTRICAL SPECIFICATION :
  - 3-1. Rated current : 5A
  - 3-2. Rated Voltage : 125V
  - 3-3. Water proof : IP67
4. Environmental :
  - 4-1. Operation Temperature : -20 °C~85°C

**SST** SOUTH SEA TERMINAL CO.,LTD

SGS Report No.:	Customer:	Part No.:
		8M5P-W-F-12.5-M-1-G10-B-N-1
Title: M8 MALE SOLDER TYPE for CABLE (FOOL PROOFING/GROUND)		
Drawn By: Storm.Li	SCALE	SHEET
Checked By: du	1:1	1/1
Approved By: Tony	REV.	A
	DWG NO.:	/
	Third angle Projection	Units
	General Dimension Tolerance	mm
	TOLERANCE:	
	.x	±0.20
	.xx	±0.10
	.xxx	±0.05
	.xxxx	±0.03
	ANGULA	±1°