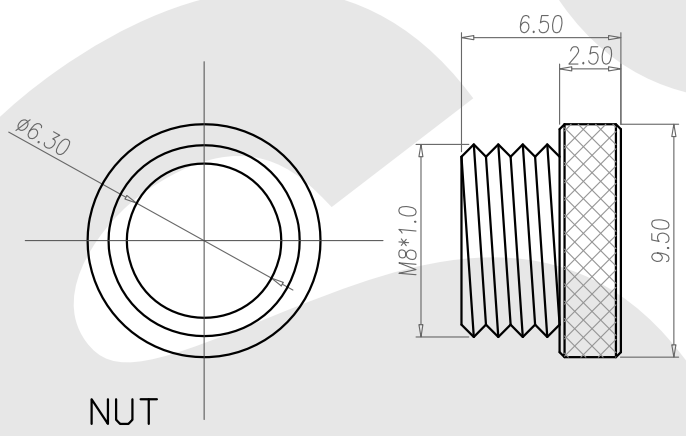
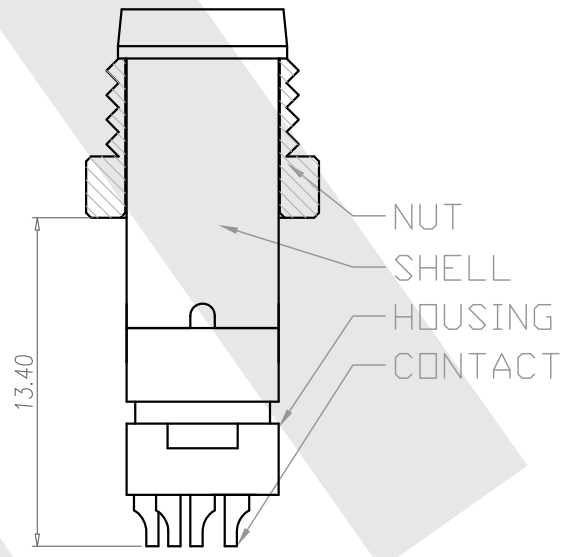
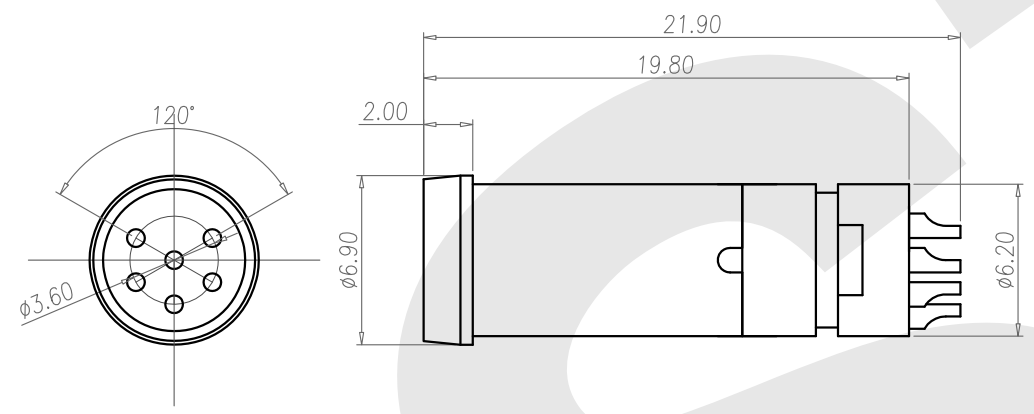


Rev	Revisions	Rev.Drawn	Date
A		Du	07.Mar.2013



8M6P-W-E-6.5-M-1-GF-B-N-3	8M5P-W-E-6.5-M-1-GF-B-N-3

**NOTE**

1. MATERIAL :
  - 1-1. HOUSING : PBT UL94V-0 ; COLOR : BLACK
  - 1-2. CONTACT : BRASS.
  - 1-3. SHELL : BRASS
  - 1-4. NUT : BRASS
2. FINISH :
  - 2-1. CONTACT : GOLD FLASH.
  - 2-2. SHELL : NICKEL PLATED.
  - 2-3. NUT : NICKEL PLATED.
3. ELECTRICAL SPECIFICATION :
  - 3-1. Rated current : 3A
  - 3-2. Rated Voltage : 125V
  - 3-3. Water proof : IP67
4. Environmental :
  - 4-1. Operation Temperature : -20°C~85°C

**SST SOUTH SEA TERMINAL CO.,LTD**

SGS Report No.:	Customer:	Part No.:			
	8M6P-W-E-6.5-M-1-GF-B-N-3				
Title: M8 MALE SOLDER TYPE for CABLE (GROUND)					
Drawn By: Storm.Li	SCALE	SHEET	REV.	DWG NO.:	TOLERANCE: .x ±0.20 .xx ±0.10 .xxx ±0.05 .xxxx ±0.03 ANGULA ±1°
Checked By: du	1:1	1/1	A	/	
Approved By: Tony	Third angle Projection		Units		
	General Dimension Tolerance		mm		