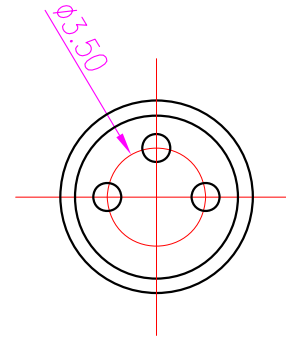
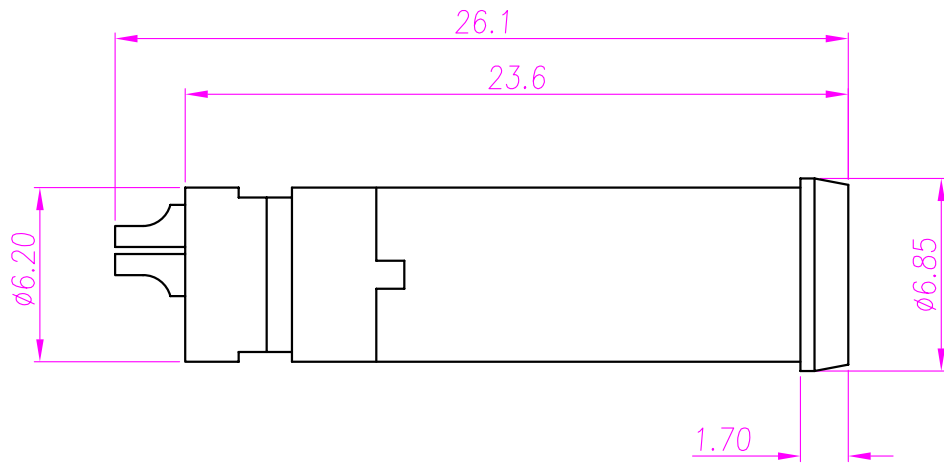


Rev	Revisions	Rev.Drawn	Date
A		Du	06/08/13*



NOTE:

- MATERIAL :**
 - 1-1. HOUSING : PBT UL94V-0 ; COLOR : BLACK
 - 1-2. CONTACT : BRASS
 - 1-3. SHELL : BRASS
 - 1-4. NUT : BRASS.
- FINISH :**
 - 2-1. CONTACT : GOLD FLASH.
 - 2-2. SHELL : NICKEL PLATED.
 - 2-2. NUT : NICKEL PLATED.
- ELECTRICAL SPECIFICATION :**
 - 3-1. Rated current : 3A
 - 3-2. Rated Voltage : 125V
 - 3-3. Water proof: IPX7
- Environmental :**
 - 4-1. Operation Temperature : -40 ℃~85℃

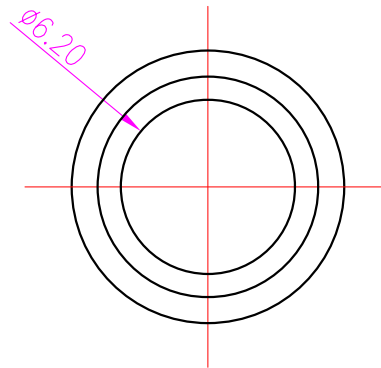
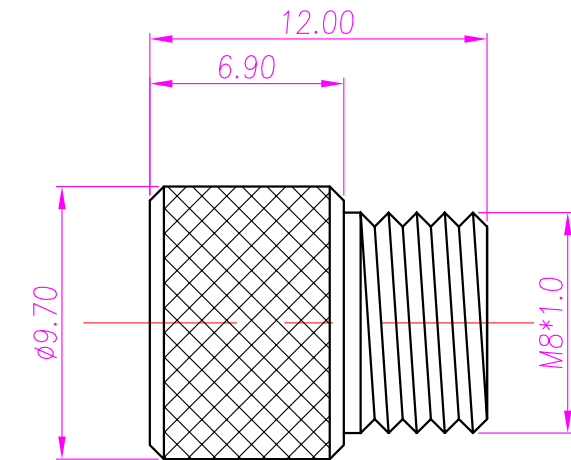


TABLE A

8M4P-W-E-12-M-1-GF-B-N-2	8M3P-W-E-12-M-1-GF-B-N-2	8M2P-W-E-12-M-1-GF-B-N-2

SGS SOUTH SEA TERMINAL CO.,LTD

SGS Report No.:	Customer:	Part No.:
		8M3P-W-E-12-M-1-GF-B-N-2
Title: M8 MALE SOLDER TYPE for CABLE (GROUND)		
Drawn By: Storm.Li	SCALE: 1:1	SHEET: 1/1
Checked By: du	REV: A	DWG NO.: QC5874
Approved By: Tony	Thire angle Projection	Units: mm
	General Dimesion Tolerance	TOLERANCE
		.x ±0.20
		.xx ±0.10
		.xxx ±0.05
		.xxxx ±0.03
		ANGULA ±1°