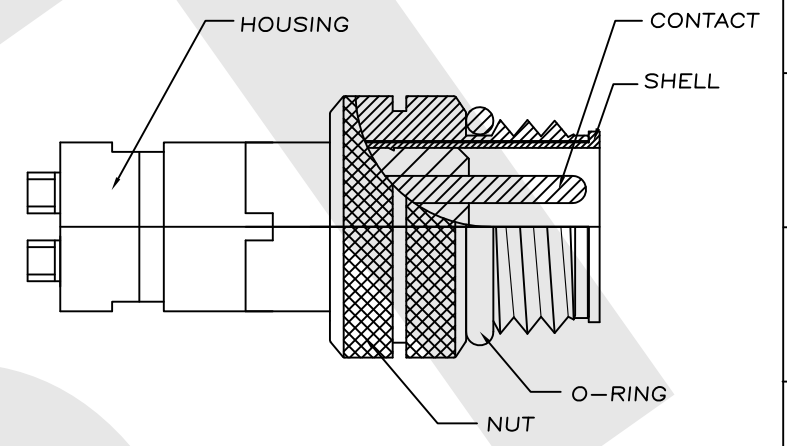
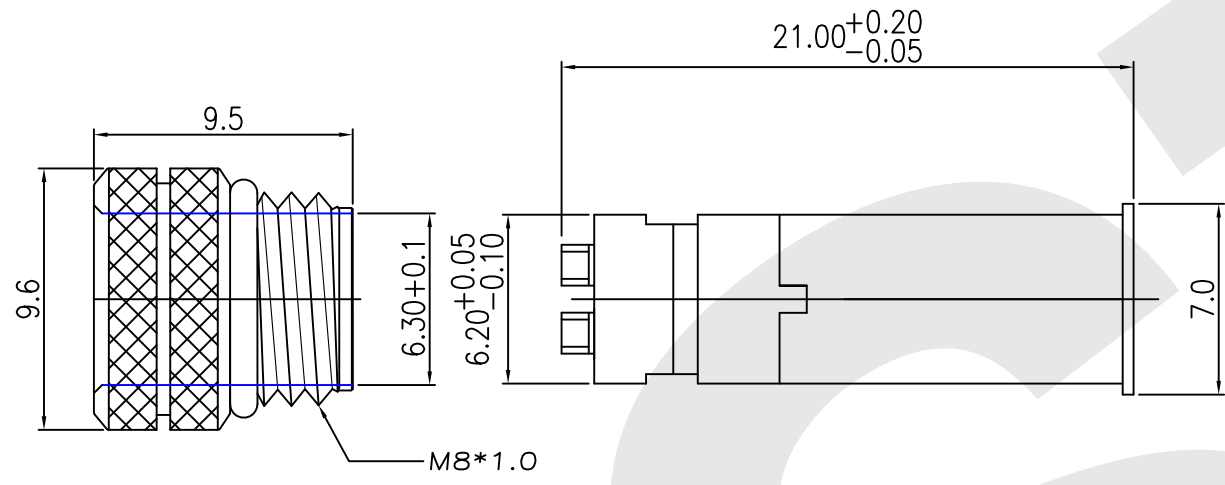
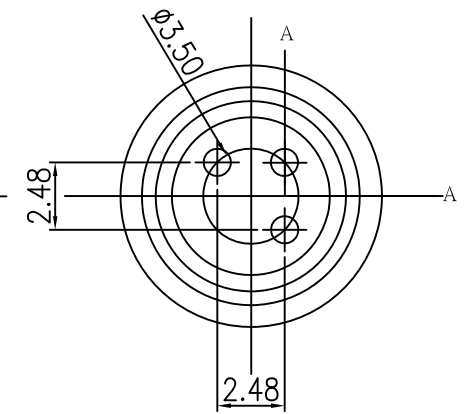
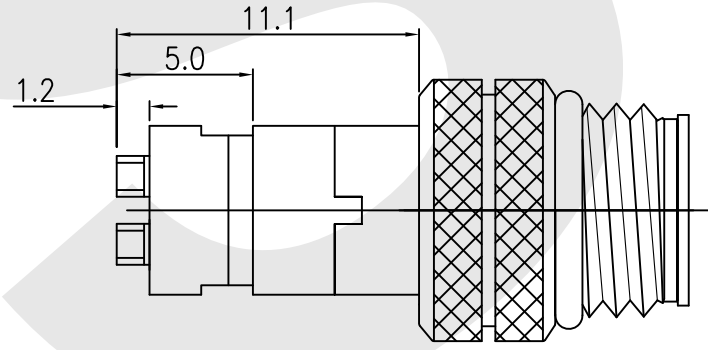


Rev	Revisions	Rev.Drawn	Date
A		Du	25.11.2008



SECTION AA



- NOTE:**
- MATERIAL :**
 - 1-1. HOUSING : PBT UL94V-0 ; COLOR : BLACK
 - 1-2. CONTACT : BRASS
 - 1-3. SHELL : BRASS
 - 1-4. NUT : BRASS
 - 1-3. O-RING : NBR ; COLOR : BLACK
 - FINISH :**
 - 2-1. CONTACT :10 MICRO INCHES MIN. GOLD PLATING OVER NICKEL
 - 2-2. SHELL : NICKEL PLATED 60u" ~ 100u" OVER ALL
 - 2-2. NUT : NICKEL PLATED 60u" ~ 100u" OVER ALL
 - ELECTRICAL SPECIFICATION :**
 - 3-1. Rated current : 5A
 - 3-2. Voltage :125V
 - 3-3. Water proof: IPX7
 - Environmental :**
 - 4-1. Operation Temperature : -40 ℃~85℃

SST SOUTH SEA TERMINAL CO.,LTD

SGS Report No.:	Customer:	Part No.:
		8M3P-W-E-9.5-M-1-G10-B-N-1
Title: M8 MALE SOLDER TYPE for CABLE (GROUND)		
Drawn By: Storm.Li	SCALE	SHEET
Checked By: du	1:1	1/1
Approved By: Tony	Thire angle Projection	REV. A
	General Dimension Tolerance	DWG NO.:
		SST-081125-01
		TOLERANCE:
		X. ±2MM
		.X ±0.25MM
		.XX ±0.1MM
		.XXX±0.1MM
		Units
		mm