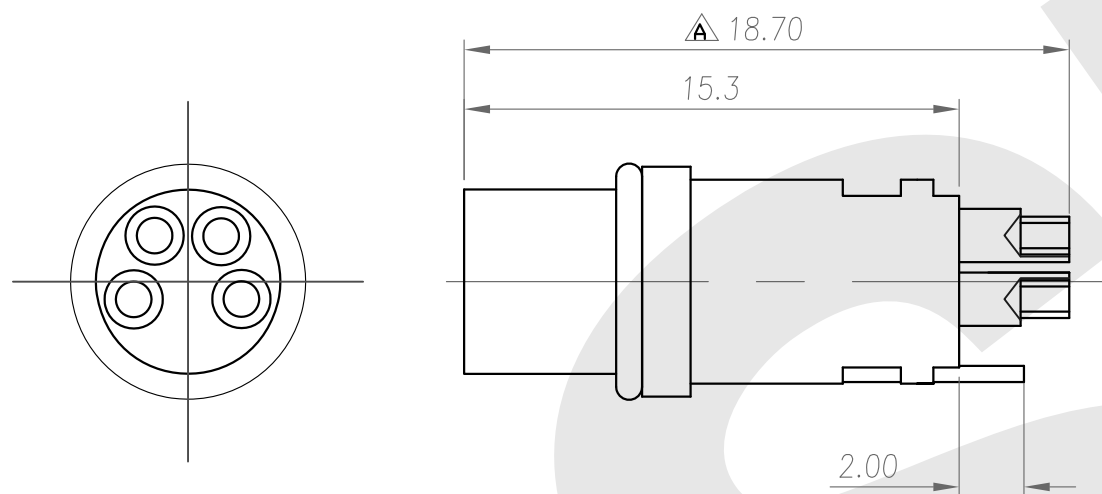


Rev	Revisions	Rev.Drawn	Date
A		Du	07.Mar.2013



- NOTE**
- MATERIAL :**
 - 1-1. HOUSING : PBT UL94V-0 ; COLOR : BLACK
 - 1-2. CONTACT : PHOSPHOR BRONZE
 - 1-3. NUT : BRASS
 - 1-4. GROUND : BRASS
 - 1-5. O-RING : NBR; COLOR : BLACK
 - FINISH :**
 - 2-1. CONTACT A : 10 MICRO INCHES MIN. GOLD PLATED
UNDER PLATE : NICKEL
 - 2-2. NUT : NICKEL PLATED 60u" ~ 100u" OVER ALL
 - 2-3. GROUND : BRIGHT TIN 60u"
 - ELECTRICAL SPECIFICATION :**
 - 3-1. Rated current : 5A
 - 3-2. Voltage : 125V
 - 3-3. Water proof: IPX7
 - Environmental :**
 - 4-1. Operation Temperature : -20°C~85°C

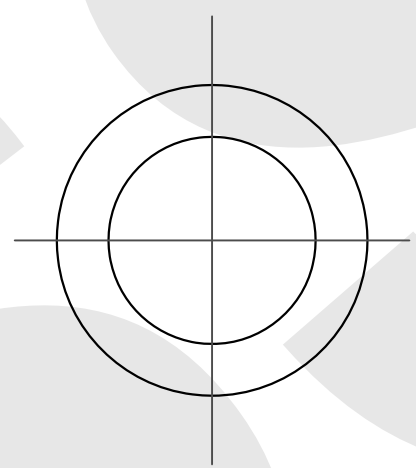
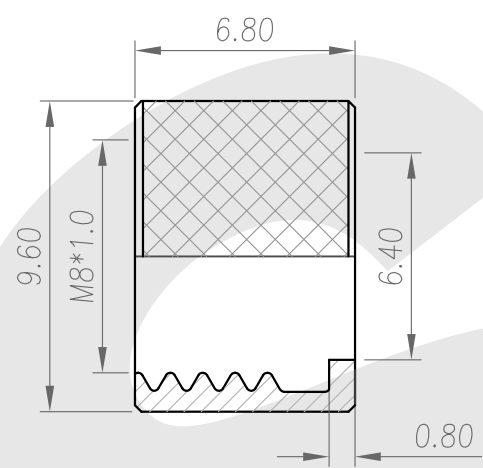


TABLE A

8F3P-W-E-6.8-P-1-G10-B-N	8F4P-W-E-6.8-P-1-G10-B-N

SST SOUTH SEA TERMINAL CO.,LTD

SGS Report No.:	Customer:	Part No.:
		8F4P-W-E-6.8-P-1-G10-B-N
Title: M8 FEMALE SOLDER TYPE for CABLE (GROUND)		
Drawn By: Storm.Li	SCALE	SHEET
Checked By: du	1:1	1/1
Approved By: Tony	REV. A	
	DWG NO.:	
	/	
	TOLERANCE:	
	.x ±0.20	
	.xx ±0.10	
	.xxx ±0.05	
	.xxxx ±0.03	
	ANGULA ±1°	
	Units	mm