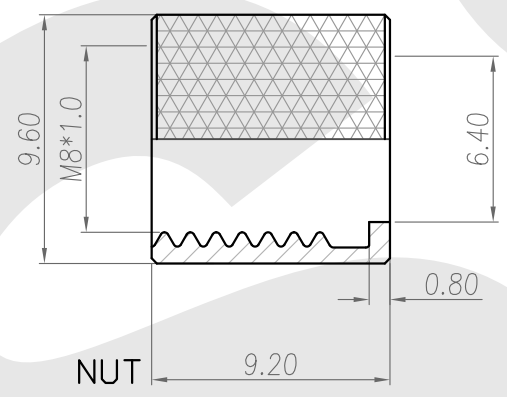
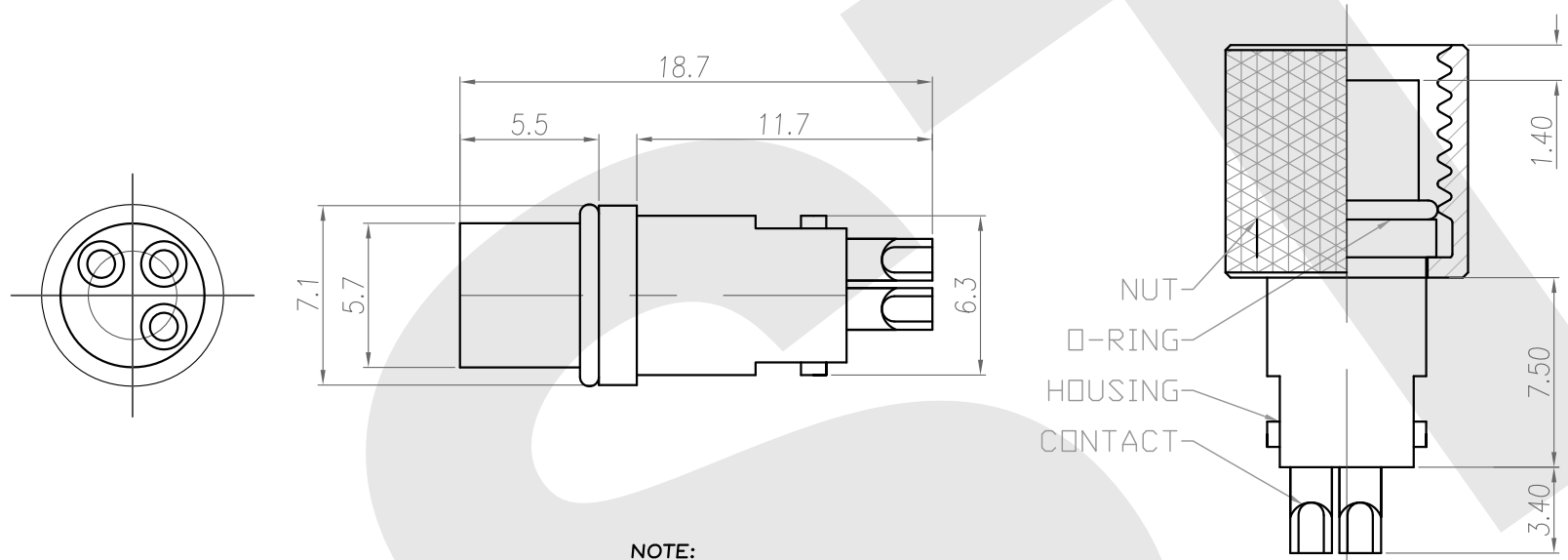


Rev	Revisions	Rev.Drawn	Date
A		Du	15.Mar.2013



NOTE:

1. MATERIAL :
 - 1-1. HOUSING : PBT UL94V-0 ; COLOR : BLACK
 - 1-2. CONTACT : PHOSPHOR BRONZE
 - 1-3. O-RING : NBR ; COLOR : BLACK
 - 1-4. NUT : BRASS
2. FINISH :
 - 2-1. CONTACT :
 - CONTACT AREA : 10 MICRO INCHES MIN. GOLD PLATING
 - SOLDER AREA : Gold Flash
 - UNDER PLATE : NICKEL
 - 2-2. NUT : NICKEL PLATED .
3. ELECTRICAL SPECIFICATION :
 - 3-1. Rated current : 5A
 - 3-2. Voltage :125V
 - 3-3. Water proof: IPX7
4. Environmental :
 - 4-1. Operation Temperature : -20 ℃~85℃

SST SOUTH SEA TERMINAL CO.,LTD

SGS Report No.:	Customer:	Part No.:
	8F3P-W-E-9.2-P-2-G10-B-N	
Title:M8 FEMALE SOLDER TYPE for CABLE (LONG NUTS)		
Drawn By:Storm.Li	SCALE	SHEET
Checked By:du	1:1	1/1
Approved By: Tony	REV.	A
	DWG NO.:	/
	Third angle Projection	Units
	General Dimension Tolerance	mm
	TOLERANCE:	
	.x	±0.20
	.xx	±0.10
	.xxx	±0.05
	.xxxx	±0.03
	ANGULA	±1°