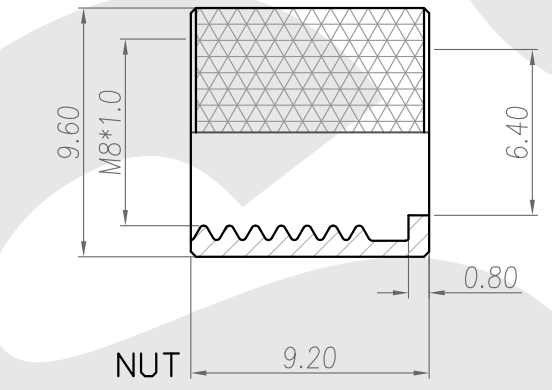
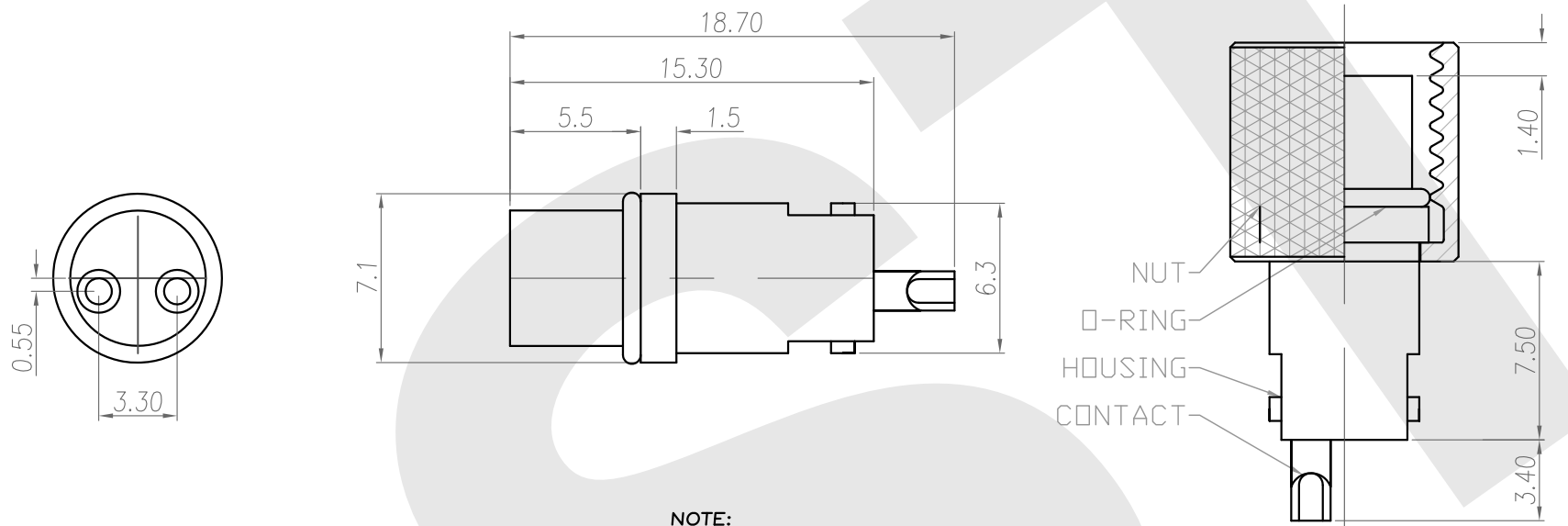


Rev	Revisions	Rev.Drawn	Date
A		Du	15.Mar.2013



- NOTE:**
1. MATERIAL :
    - 1-1. HOUSING : PBT UL94V-0 ; COLOR : BLACK
    - 1-2. CONTACT : PHOSPHOR BRONZE
    - 1-3. O-RING : NBR ; COLOR : BLACK
    - 1-4. NUT : BRASS
  2. FINISH :
    - 2-1. CONTACT :
      - CONTACT AREA : 10 MICRO INCHES MIN. GOLD PLATING
      - SOLDER AREA : Gold Flash
      - UNDER PLATE : NICKEL
    - 2-2. NUT : NICKEL PLATED .
  3. ELECTRICAL SPECIFICATION :
    - 3-1. Rated current : 5A
    - 3-2. Voltage :125V
    - 3-3. Water proof: IPX7
  4. Environmental :
    - 4-1. Operation Temperature : -20 ℃~85℃

SGS Report No.:		<b>SST</b> SOUTH SEA TERMINAL CO.,LTD	
		Customer:	Part No.: 8F2P-W-E-9.2-P-2-G10-B-N
Title:M8 FEMALE SOLDER TYPE for CABLE (LONG NUTS)			
Drawn By:Storm.Li	SCALE 1:1	SHEET 1/1	REV. A
Checked By:du	DWG NO.:		TOLERANCE: .x ±0.20 .xx ±0.10 .xxx ±0.05 .xxxx ±0.03 ANGULA ±1°
Approved By: Tony	Third angle Projection General Dimension Tolerance		Units mm