

Rev	Revisions	Rev.Drawn	Date
A		Du	07.Mar.2013

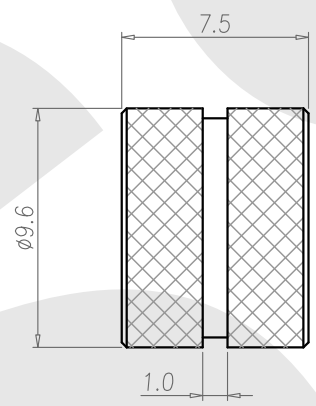
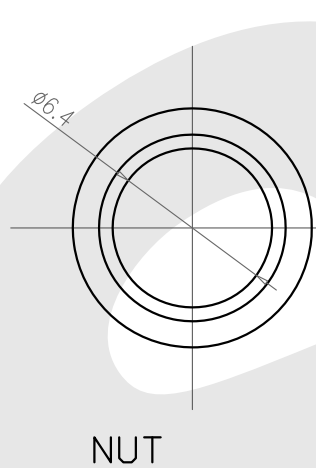
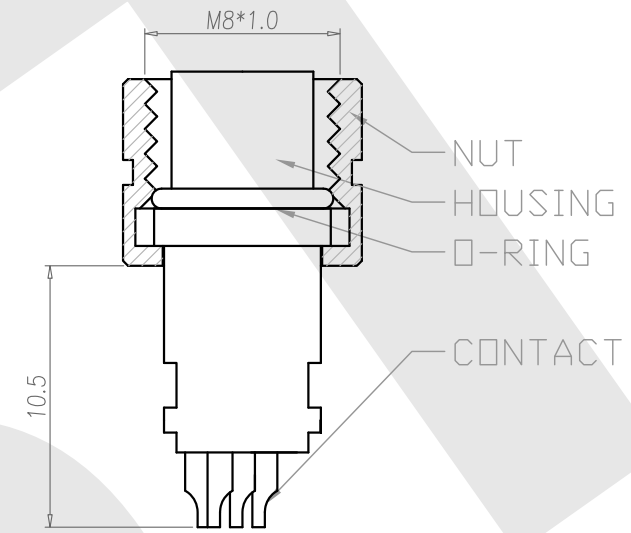
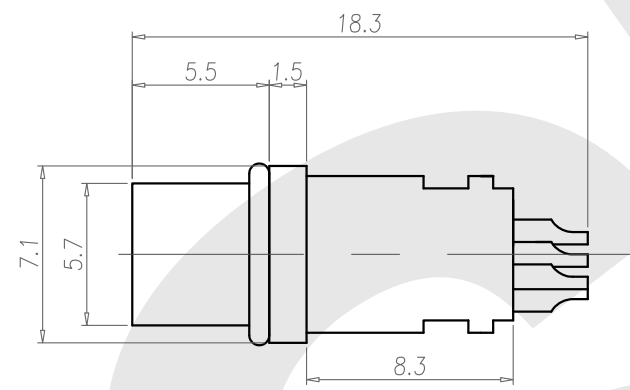
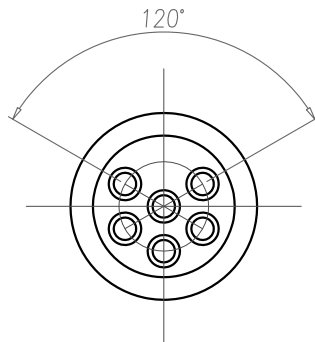


TABLE A

8F6P-W-E-7.5-P-2-GF-B-N	8F5P-W-E-7.5-P-2-GF-B-N

NOTE

- MATERIAL :
 - HOUSING : PBT UL94V-0 ; COLOR : BLACK
 - CONTACT : BRASS.
 - NUT : BRASS.
 - O-RING : NBR
- FINISH :
 - CONTACT : GOLD FLASH.
 - NUT : NICKEL PLATED.
- ELECTRICAL SPECIFICATION :
 - Rated current : 3A
 - Rated Voltage : 125V
 - Water proof : IP67
- Environmental :
 - Operation Temperature : -20℃~85℃

SST SOUTH SEA TERMINAL CO.,LTD

SGS Report No.:	Customer:	Part No.:
		8F6P-W-E-7.5-P-2-GF-B-N
Title: M8 FEMALE SOLDER TYPE for CABLE		
Drawn By: Storm.Li	SCALE	SHEET
Checked By: du	1:1	1/1
Approved By: Tony	REV.	A
	DWG NO.:	/
	Units	mm
	TOLERANCE:	.x ±0.20
		.xx ±0.10
		.xxx ±0.05
		.xxxx ±0.03
		ANGULA ±1°