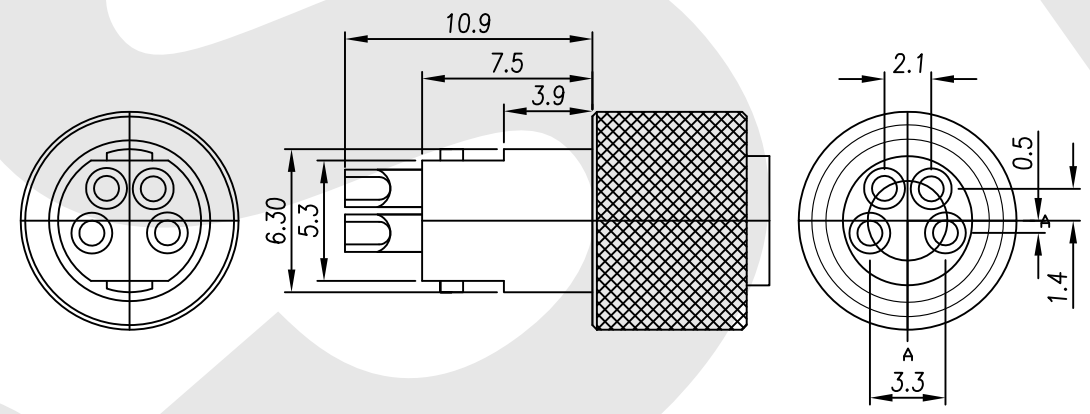
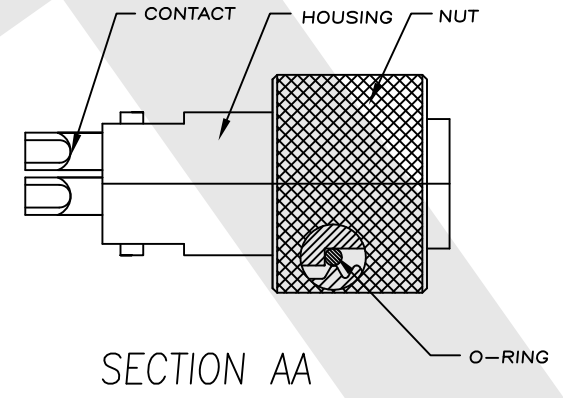
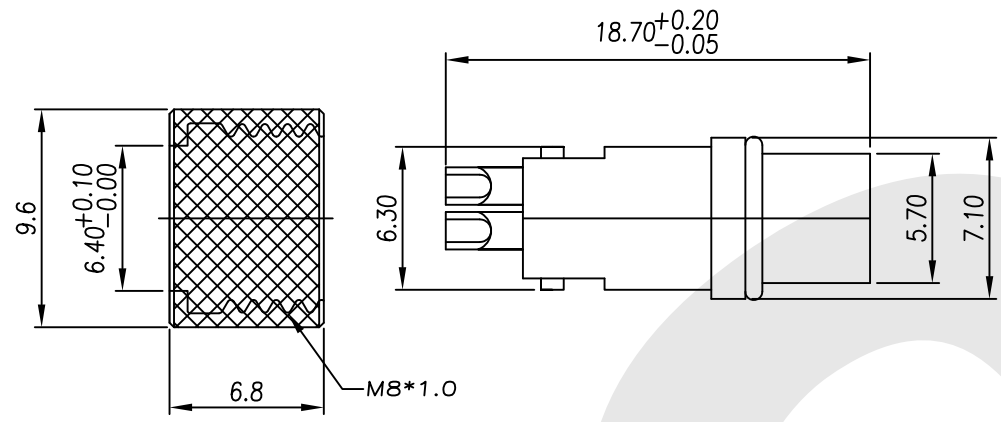


Rev	Revisions	Rev.Drawn	Date
A		Du	25.11.2008



NOTE:

1. MATERIAL :
 - 1-1. HOUSING : PBT UL94V-0 ; COLOR : BLACK
 - 1-2. CONTACT : PHOSPHOR BRONZE
 - 1-3. NUT : BRASS
 - 1-4. O-RING : NBR ; COLOR : BLACK
2. FINISH :
 - 2-1. CONTACT :
 - CONTACT AREA : 10 MICRO INCHES MIN. GOLD PLATING
 - SOLDER AREA : Gold Flash
 - UNDER PLATE : NICKEL
 - 2-2. NUT : NICKEL PLATED 60u" ~ 100u" OVER ALL
3. ELECTRICAL SPECIFICATION :
 - 3-1. Rated current : 5A
 - 3-2. Voltage : 125V
 - 3-3. Water proof: IPX7
4. Environmental :
 - 4-1. Operation Temperature : -40 °C ~ 85°C

SST SOUTH SEA TERMINAL CO.,LTD

SGS Report No.:	Customer:	Part No.:
		8F4P-W-E-6.8-P-2-G10-B-N
Title: M8 FEMALE SOLDER TYPE for CABLE		
Drawn By: Storm.Li	SCALE: 1:1	SHEET: 1/1
Checked By: du	REV: A	DWG NO.: SST-081125-01
Approved By: Tony	TOLERANCE: X. ±2MM .X ±0.25MM .XX ±0.1MM .XXX±0.1MM	
Thire angle Projection		Units: mm
General Dimesion Tolerance		