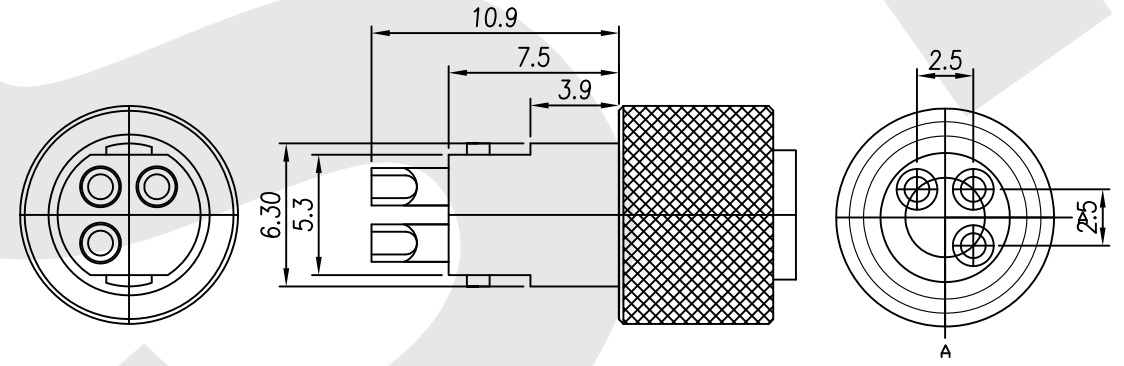
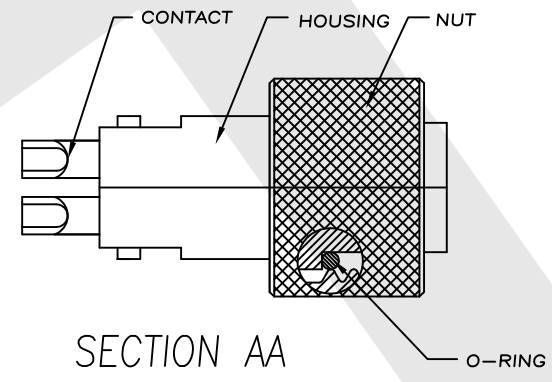
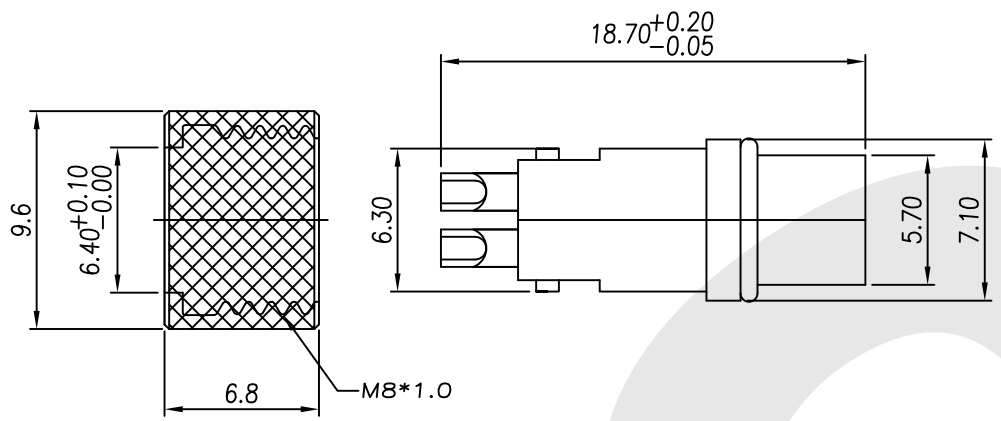


Rev	Revisions	Rev.Drawn	Date
A		Du	25.11.2008



- NOTE:**
- MATERIAL :**
 - 1-1. HOUSING : PBT UL94V-0 ; COLOR : BLACK
 - 1-2. CONTACT : PHOSPHOR BRONZE
 - 1-3. NUT : BRASS
 - 1-4. O-RING : NBR ; COLOR : BLACK
 - FINISH :**
 - 2-1. CONTACT :
 - CONTACT AREA : 10 MICRO INCHES MIN. GOLD PLATING
 - SOLDER AREA : Gold Flash
 - UNDER PLATE : NICKEL
 - 2-2. NUT : NICKEL PLATED 60u" ~ 100u" OVER ALL
 - ELECTRICAL SPECIFICATION :**
 - 3-1. Rated current : 5A
 - 3-2. Voltage : 125V
 - 3-3. Water proof: IPX8
 - Environmental :**
 - 4-1. Operation Temperature : -20 °C ~ 85°C

SGS Report No.:		Customer:		Part No.:	
				8F3P-W-E-6.8-P-2-G10-B-N	
Title: M8 FEMALE SOLDER TYPE for CABLE					
Drawn By: Storm.Li	SCALE	SHEET	REV.	DWG NO.:	TOLERANCE:
Checked By: du	1:1	1/1	A	SST-081125-01	X. ±2MM
Approved By: Tony	Third angle Projection			Units mm	.X ±0.25MM
	General Dimension Tolerance				.XX ±0.1MM
					.XXX ±0.1MM