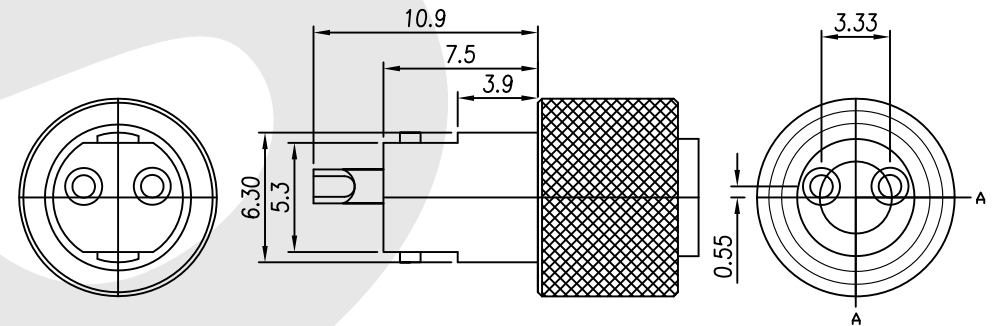
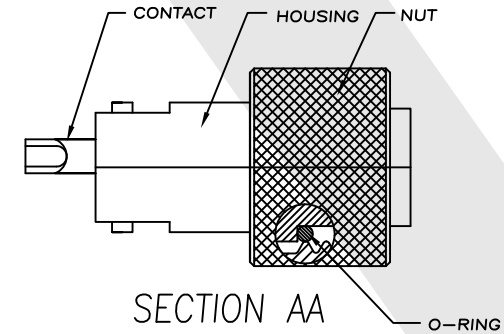
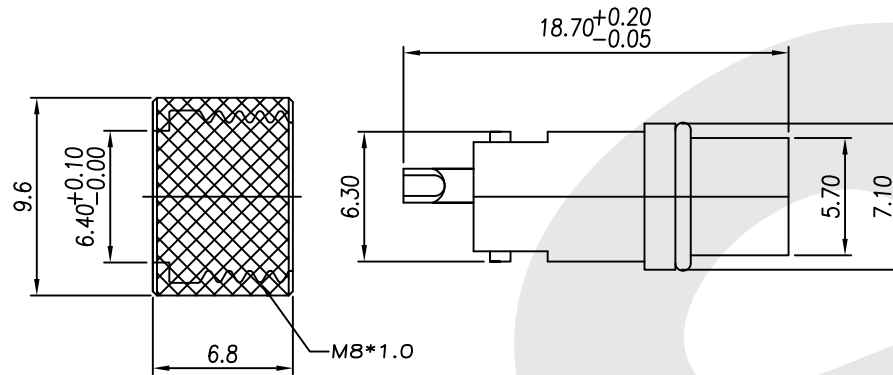


Rev	Revisions	Rev.Drawn	Date
A		Du	25.11.2008



**NOTE:**

1. MATERIAL :
  - 1-1. HOUSING : PBT UL94V-0 ; COLOR : BLACK
  - 1-2. CONTACT : PHOSPHOR BRONZE
  - 1-3. NUT : BRASS
  - 1-4. O-RING : NBR ; COLOR : BLACK
2. FINISH :
  - 2-1. CONTACT :
    - CONTACT AREA : 10 MICRO INCHES MIN. GOLD PLATING
    - SOLDER AREA : Gold Flash
    - UNDER PLATE : NICKEL
  - 2-2. NUT : NICKEL PLATED 60u" ~ 100u" OVER ALL
3. ELECTRICAL SPECIFICATION :
  - 3-1. Rated current : 5A
  - 3-2. Voltage : 125V
  - 3-3. Water proof: IPX7
4. Environmental :
  - 4-1. Operation Temperature : -40 °C~85°C

**SST** SOUTH SEA TERMINAL CO.,LTD

SGS Report No.:	Customer:	Part No.:
		8F2P-W-E-6.8-P-2-G10-B-N
Title: M8 FEMALE SOLDER TYPE for CABLE		
Drawn By: Storm.Li	SCALE	SHEET
Checked By: du	1:1	1/1
Approved By: Tony	Thire angle Projection	REV. A
	General Dimension Tolerance	DWG NO.:
		SST-081125-01
		TOLERANCE:
		X. ±2MM
		.X ±1MM
		.XX ±0.1MM
		.XXX±0.1MM
	Units	mm