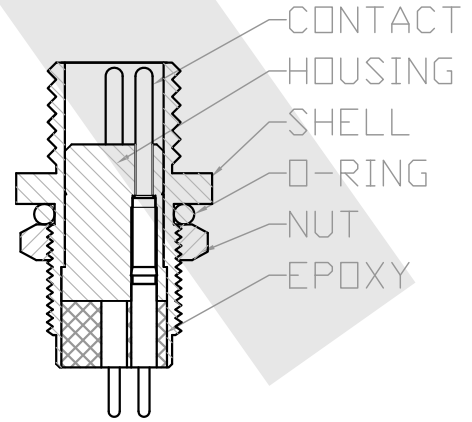
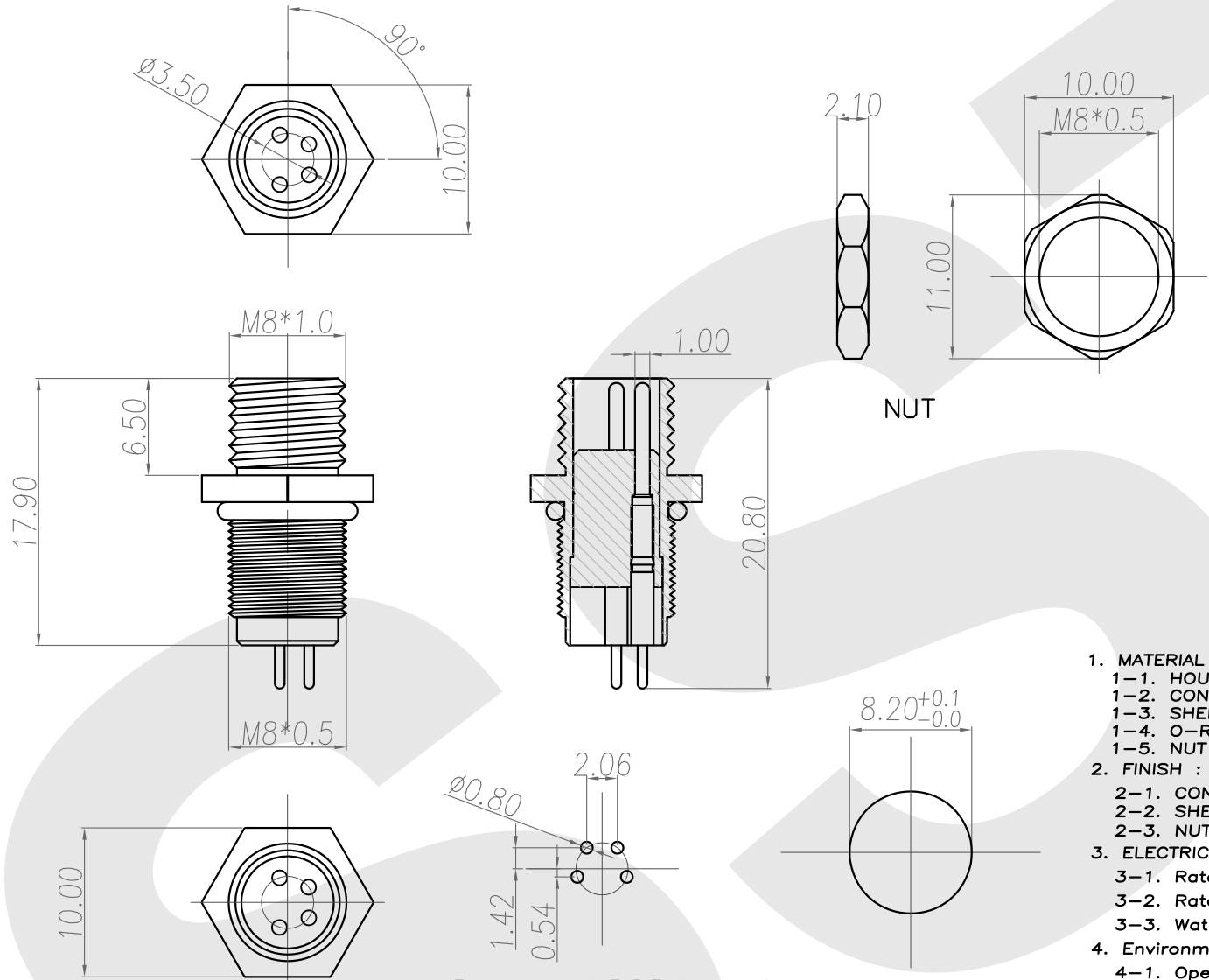


Rev	Revisions	Rev.Drawn	Date
A		Du	07.Mar.2013



- 1. MATERIAL :
 - 1-1. HOUSING : PBT ; COLOR : BLACK
 - 1-2. CONTACT : BRASS.
 - 1-3. SHELL : BRASS
 - 1-4. O-RING : NBR ; COLOR : BLACK
 - 1-5. NUT : BRASS.
- 2. FINISH :
 - 2-1. CONTACT : 10 MICRO INCHES MIN. GOLD PLATING
 - 2-2. SHELL : NICKEL PLATED.
 - 2-3. NUT : NICKEL PLATED.
- 3. ELECTRICAL SPECIFICATION :
 - 3-1. Rated current : 5A
 - 3-2. Rated Voltage : 125V
 - 3-3. Water proof : IP67
- 4. Environmental :
 - 4-1. Operation Temperature : -20 °C~85°C

Recommend P.C.B Layout. RECOMMEND PANEL CUT-OUT

SST SOUTH SEA TERMINAL CO.,LTD

SGS Report No.:	Customer:	Part No.:
	8M4P-B-E-BL-8x0.5-C-D-G10-B-N	
Title:M8 MALE DIP TYPE BACK LOCK for BOARD		
Drawn By:Storm.Li	SCALE	SHEET
Checked By:du	1:1	1/1
Approved By: Tony	REV.	A
Thire angle Projection		DWG NO.:
General Dimension Tolerance		/
		Units
		mm
		TOLERANCE:
		.x ±0.20
		.xx ±0.10
		.xxx ±0.05
		.xxxx ±0.03
		ANGULA ±1°