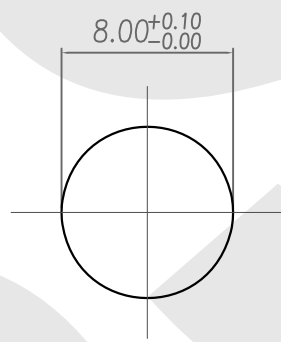
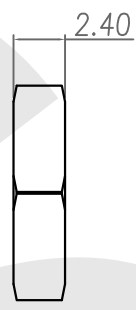
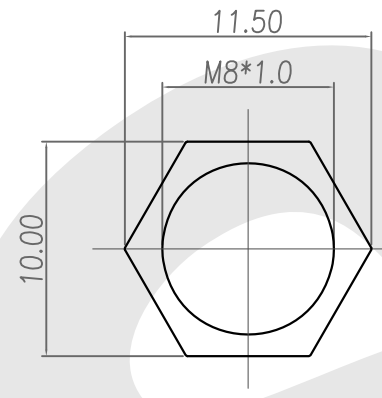
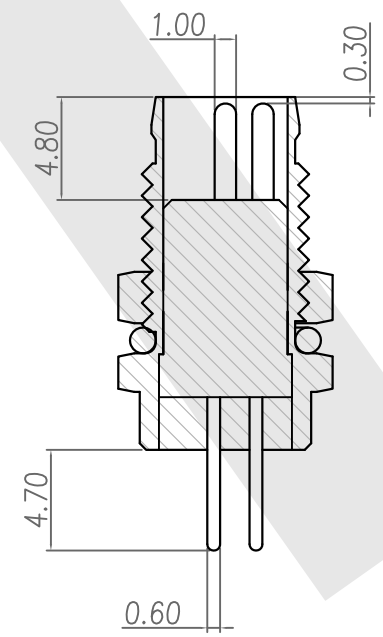
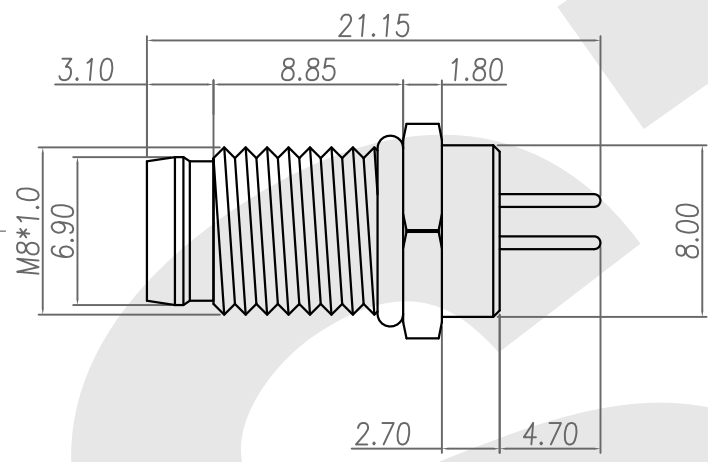
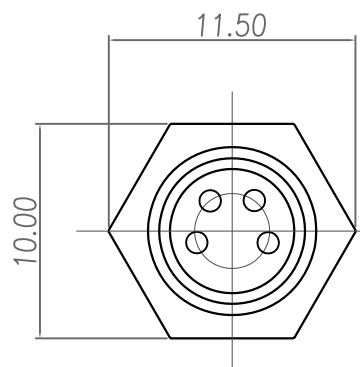


Rev	Revisions	Rev.Drawn	Date
A		Du	07,NOV.2011



NUT

RECOMMEND PANEL CUT-OUT

1. MATERIAL :
 - 1-1. HOUSING : PBT ; COLOR : BLACK
 - 1-2. CONTACT : BRASS.
 - 1-3. SHELL : BRASS
 - 1-4. O-RING : NBR ; COLOR : BLACK
 - 1-5. NUT : BRASS.
2. FINISH :
 - 2-1. CONTACT : GOLD FLASH MICRO INCHES MIN.
 - 2-2. SHELL : NICKEL PLATED.
 - 2-3. NUT : NICKEL PLATED.
3. ELECTRICAL SPECIFICATION :
 - 3-1. Rated current : 5A
 - 3-2. Rated Voltage : 125V
 - 3-3. Water proof : IP67
4. Environmental :
 - 4-1. Operation Temperature : -20 ℃~85℃

SST SOUTH SEA TERMINAL CO.,LTD

SGS Report No.:	Customer:	Part No.:
		8M4P-B-E-FL-8x1.0-C-D-GF-B-N
Title: M8 MALE DIP TYPE FRONT LOCK for BOARD		
Drawn By: Storm.Li	SCALE	SHEET
Checked By: du	1:1	1/1
Approved By: Tony	Thire angle Projection	REV. A
	General Dimension Tolerance	DWG NO.:
		SST-111107-02
		Units
		mm
		TOLERANCE
		.x ±0.20
		.xx ±0.10
		.xxx ±0.05
		.xxxx ±0.03
		ANGULA ±1°