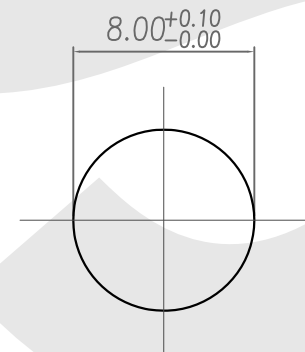
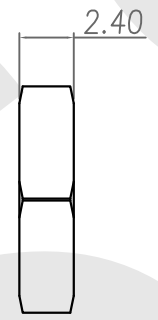
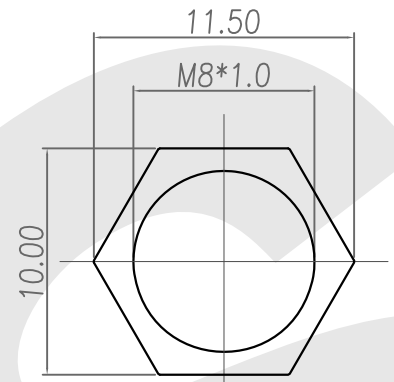
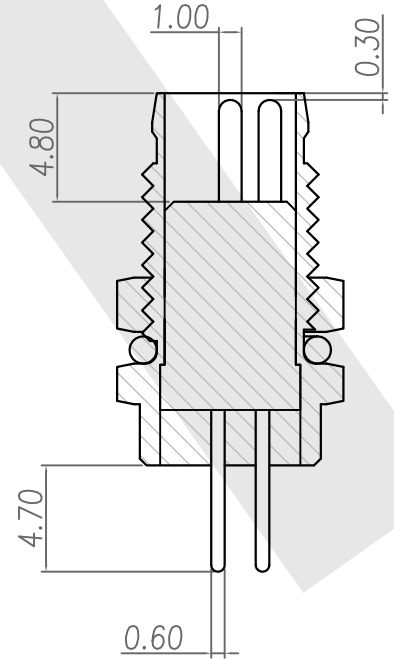
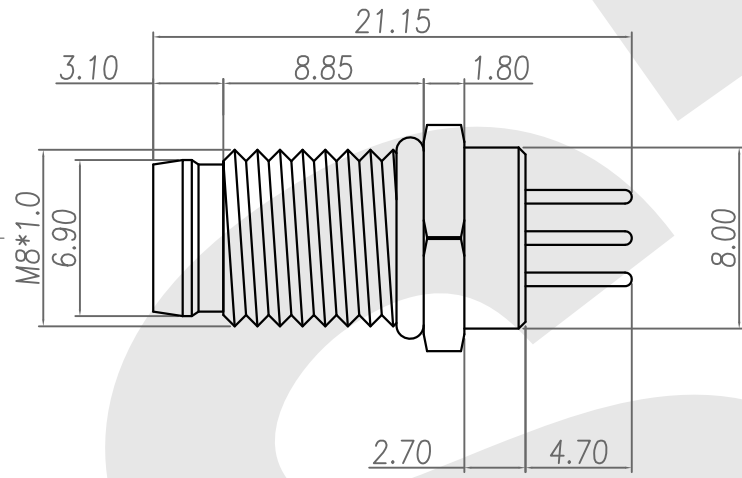
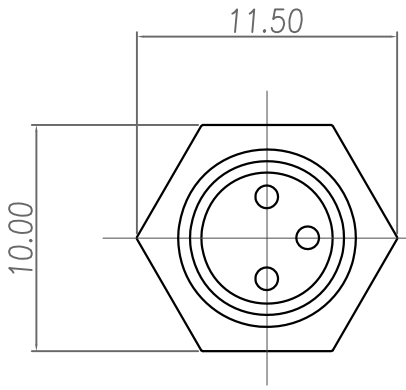


Rev	Revisions	Rev.Drawn	Date
A		Du	07.Mar.2013



NUT

RECOMMEND PANEL CUT-OUT

- MATERIAL :
  - 1-1. HOUSING : PBT ; COLOR : BLACK
  - 1-2. CONTACT : BRASS.
  - 1-3. SHELL : BRASS
  - 1-4. O-RING : NBR ; COLOR : BLACK
  - 1-5. NUT : BRASS.
- FINISH :
  - 2-1. CONTACT : GOLD FLASH MICRO INCHES MIN.
  - 2-2. SHELL : NICKEL PLATED.
  - 2-3. NUT : NICKEL PLATED.
- ELECTRICAL SPECIFICATION :
  - 3-1. Rated current : 5A
  - 3-2. Rated Voltage : 125V
  - 3-3. Water proof : IP67
- Environmental :
  - 4-1. Operation Temperature : -20 ℃~85℃

**SST** SOUTH SEA TERMINAL CO.,LTD

SGS Report No.: Customer: Part No.: 8M3P-B-E-FL-8x1.0-C-D-GF-B-N

Title: M8 MALE DIP TYPE FRONT LOCK for BOARD

Drawn By: Storm.Li	SCALE	SHEET	REV.	DWG NO.:	TOLERANCE:
Checked By: du	1:1	1/1	A	/	.x ±0.20
Approved By: Tony	Third angle Projection			Units mm	.xx ±0.10
	General Dimension Tolerance				.xxx ±0.05
					.xxxx ±0.03
					ANGULA ±1°