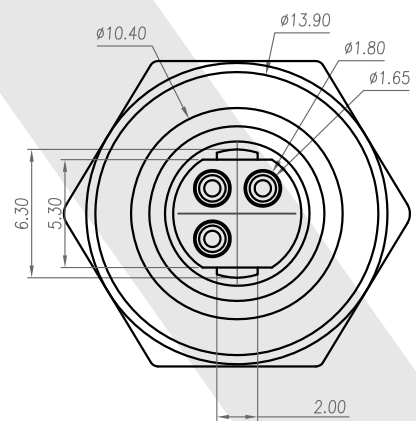
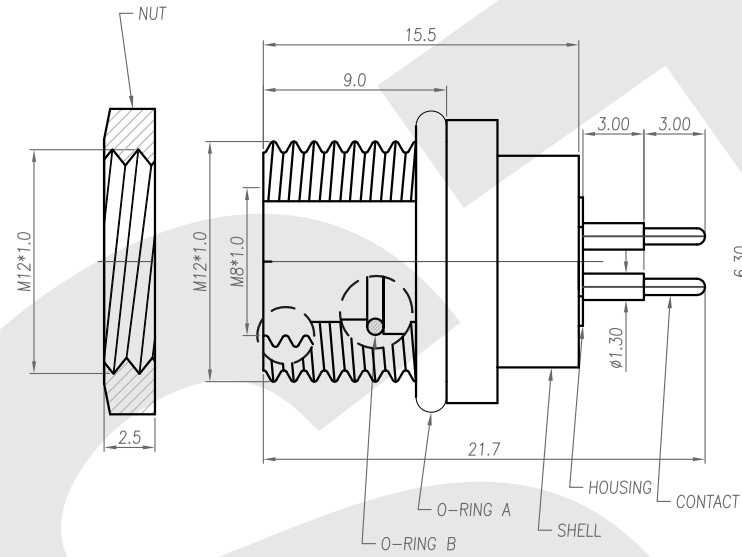
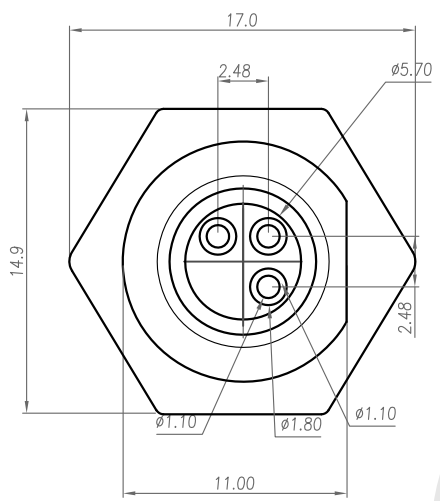
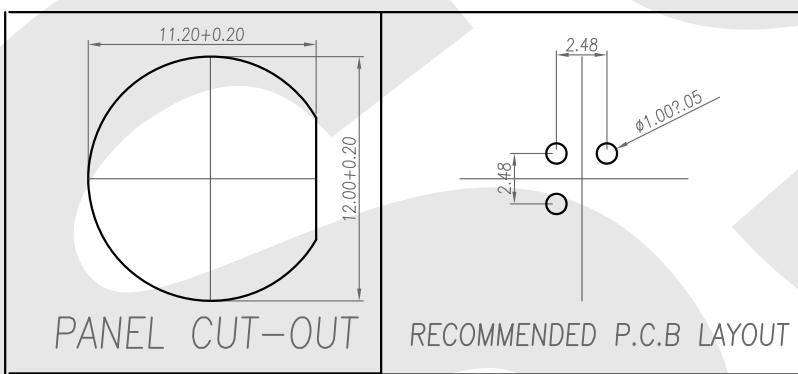


Rev	Revisions	Rev.Drawn	Date
A		Du	31,May,2011



NOTE.

1. MATERIAL :
 - 1-1. HOUSING : PBT UL94V-0 ; COLOR : BLACK
 - 1-2. CONTACT : BRASS
 - 1-3. SHELL : BRASS
 - 1-4. O-RING A: NBR ; COLOR : BLACK
 - 1-5. O-RING B: EPDM ; COLOR : BLACK
 - 1-6. NUT : BRASS
2. FINISH :
 - 2-1. CONTACT :
 - CONTACT AREA : 10 MICRO INCHES MIN. GOLD PLATED
 - UNDER PLATE : NICKEL
 - 2-2. SHELL : NICKEL PLATED 60u" ~ 100u" OVER ALL
 - 2-3. NUT : NICKEL PLATED 60u" ~ 100u" OVER ALL
3. ELETRICAL SPECICATION :
 - 3-1. Rated current : 5A
 - 3-2. Voltage : 125V
 - 3-3. Water proof: IPX7
4. Environmental :
 - 4-1. Operation Temperature : -20 °C~85°C



SST SOUTH SEA TERMINAL CO.,LTD

SGS Report No.:	Customer:	Part No.:	8F3P-B-E-FL-12x1.0-S-D-G10-B-N		
Title:M8 FEMALE DIP TYPE FRONT LOCK for BOARD					
Drawn By:Storm.Li	SCALE	SHEET	REV.	DWG NO.:	TOLERANCE x ±0.20 .xx ±0.10 .xxx ±0.05 .xxxx ±0.03 ANGULA ±1°
Checked By:du	1:1	1/1	A	SST-110531-22	
Approved By:Tony	Thire angle Projection		General Dimesion Tolerance		
				Units	mm