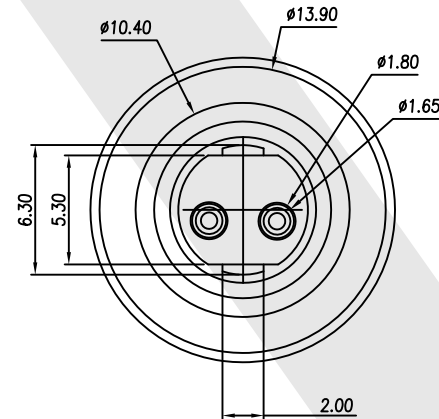
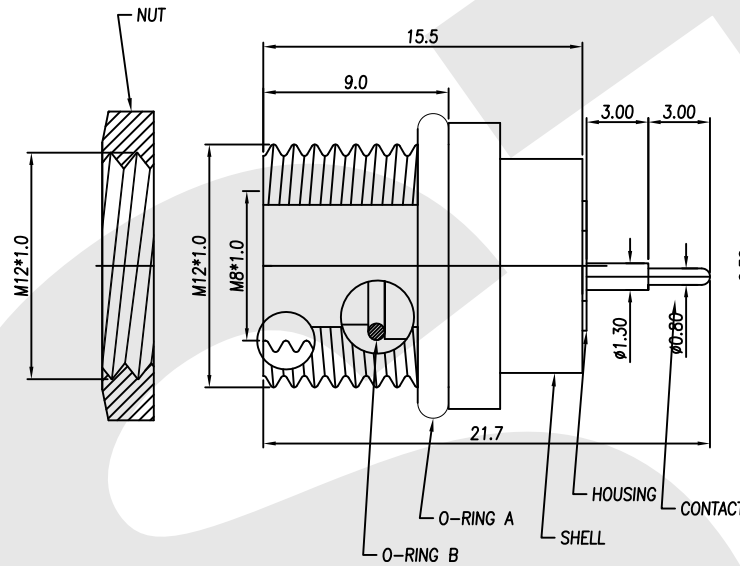
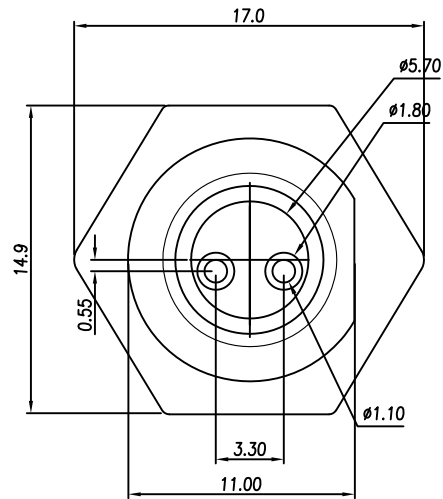


Rev	Revisions	Rev.Drawn	Date
A		Du	25.11.2008



NOTE.

1. MATERIAL :

- 1-1. HOUSING : PBT UL94V-0 ; COLOR : BLACK
- 1-2. CONTACT : BRASS
- 1-3. SHELL : BRASS
- 1-4. O-RING A : NBR ; COLOR : BLACK
- 1-5. O-RING B : EPDM ; COLOR : BLACK
- 1-6. NUT : BRASS

2. FINISH :

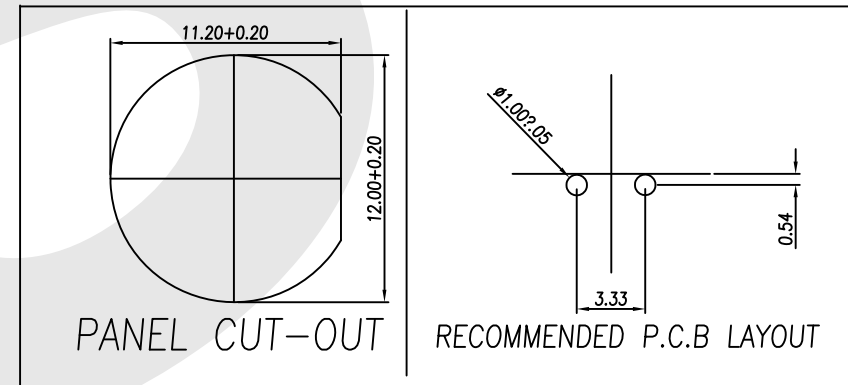
- 2-1. CONTACT :
CONTACT AREA : 10 MICRO INCHES MIN. GOLD PLATED
UNDER PLATE : NICKEL
- 2-2. SHELL : NICKEL PLATED 60u" ~ 100u" OVER ALL
- 2-3. NUT : NICKEL PLATED 60u" ~ 100u" OVER ALL

3. ELETRICAL SPECICATION :

- 3-1. Rated current : 5A
- 3-2. Voltage :125V
- 3-3. Water proof: IPX7

4. Environmental :

- 4-1. Operation Temperature : -20 °C~85°C



SST SOUTH SEA TERMINAL CO.,LTD

SGS Report No.:	Customer:	Part No.:
		8F2P-B-E-FL-12x1.0-S-D-G10-B-N
Title: M8 FEMALE DIP TYPE FRONT LOCK for BOARD		
Drawn By: Storm.Li	SCALE	SHEET
Checked By: du	1:1	1/1
Approved By: Tony	REV.	A
	DWG NO.:	SST-081125-01
	TOLERANCE:	X. ±2MM .X ±1MM .XX ±0.1MM .XXX±0.1MM
	Third angle Projection	Units
	General Dimension Tolerance	mm