

Rev	Revisions	Rev.Drawn	Date
A		Du	08/07/13*

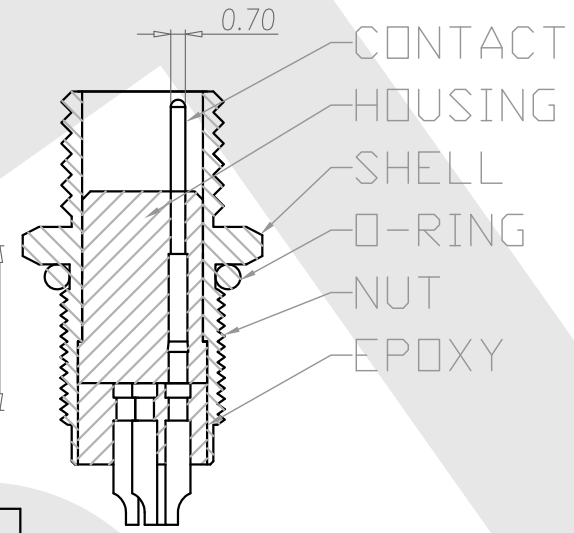
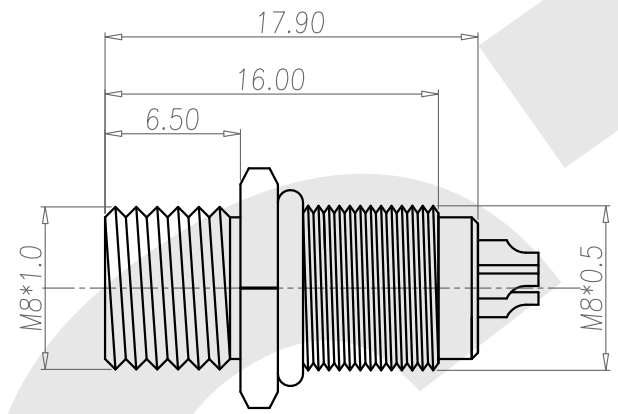
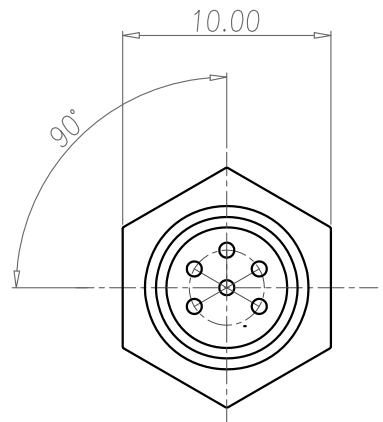
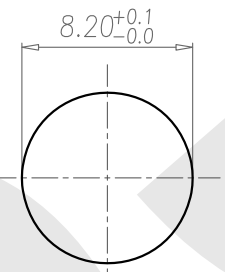
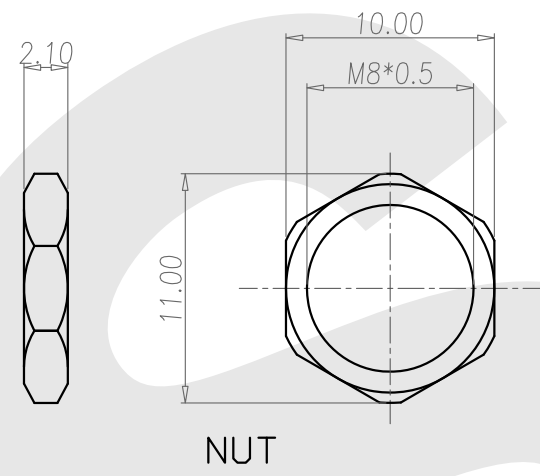


TABLE A

BM6P-B-E-BL-8.0x0.5-C-S-GF-B-N-BM6P-B-E-BL-8.0x0.5-C-S-GF-B-N-2	

- MATERIAL :
 - 1-1. HOUSING : PBT ; COLOR : BLACK
 - 1-2. CONTACT : BRASS.
 - 1-3. SHELL : BRASS
 - 1-4. O-RING : NBR ; COLOR : BLACK
 - 1-5. NUT : BRASS.
- FINISH :
 - 2-1. CONTACT : GOLD PLATING
 - 2-2. SHELL : NICKEL PLATED.
 - 2-3. NUT : NICKEL PLATED.
- ELECTRICAL SPECIFICATION :
 - 3-1. Rated current : 3A
 - 3-2. Rated Voltage : 60V
 - 3-3. Water proof : IP67
- Environmental :
 - 4-1. Operation Temperature : -20 °C~85°C



RECOMMEND PANEL CUT-OUT

SST SOUTH SEA TERMINAL CO.,LTD

SGS Report No.:	Customer:	Part No.:	BM6P-B-E-BL-8.0x0.5-C-S-GF-B-N-2		
Title: M8 MALE SOLDER TYPE BACK LOCK for PANEL					
Drawn By: Storm.Li	SCALE	SHEET	REV.	DWG NO.:	TOLERANCE:
Checked By: du	1:1	1/1	A		.x ±0.20
Approved By: Tony	Thire angle Projection			Units mm	.xx ±0.10
General Dimension Tolerance					.xxx ±0.05
					.xxxx ±0.03
					ANGULA ±1°