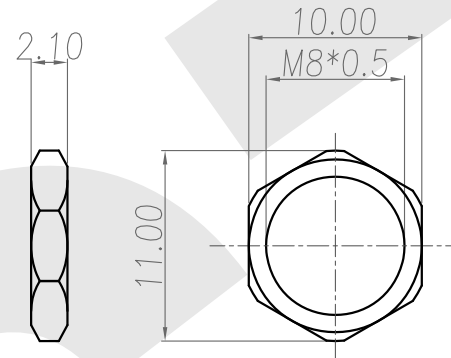
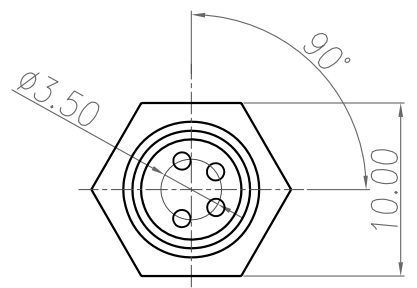
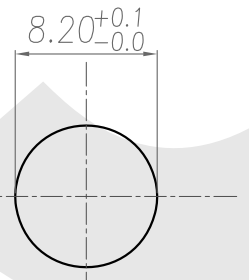
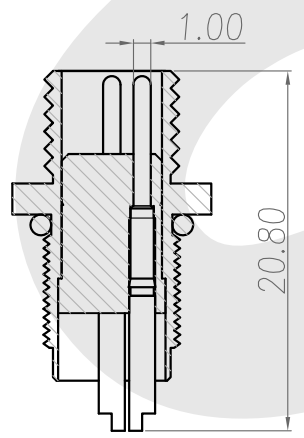
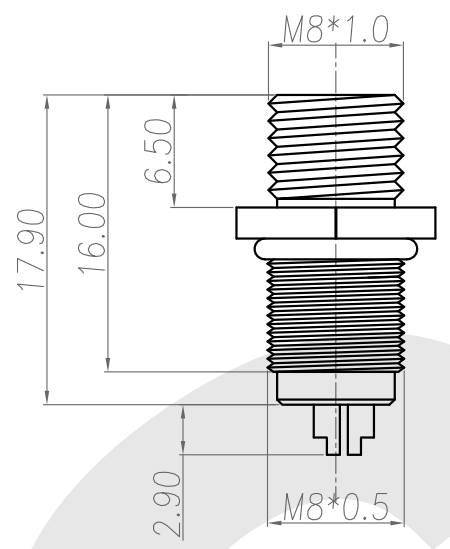
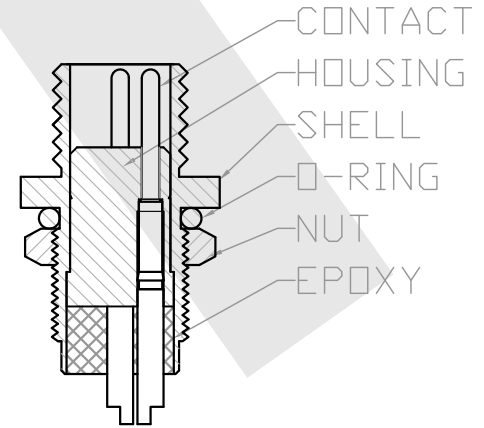


Rev	12	13	14
	Revisions	Rev.Drawn	Date
A		Du	07.Mar.2013



NUT



RECOMMEND PANEL CUT-OUT

- MATERIAL :
  - 1-1. HOUSING : PBT ; COLOR : BLACK
  - 1-2. CONTACT : BRASS.
  - 1-3. SHELL : BRASS
  - 1-4. O-RING : NBR ; COLOR : BLACK
  - 1-5. NUT : BRASS.
- FINISH :
  - 2-1. CONTACT : 10 MICRO INCHES MIN. GOLD PLATING
  - 2-2. SHELL : NICKEL PLATED.
  - 2-3. NUT : NICKEL PLATED.
- ELECTRICAL SPECIFICATION :
  - 3-1. Rated current : 5A
  - 3-2. Rated Voltage : 125V
  - 3-3. Water proof : IP67
- Environmental :
  - 4-1. Operation Temperature : -20 °C~85°C

**SST SOUTH SEA TERMINAL CO.,LTD**

SGS Report No.:	Customer:	Part No.:
		8M4P-B-E-BL-8x0.5-C-S-G10-B-N-1
Title: M8 MALE SOLDER TYPE BACK LOCK for PANEL		
Drawn By: Storm.Li	SCALE	SHEET
Checked By: du	1:1	1/1
Approved By: Tony	REV.	DWG NO.:
	A	/
	Thire angle Projection	
	General Dimension Tolerance	
	Units	TOLERANCE:
	mm	.x ±0.20
		.xx ±0.10
		.xxx ±0.05
		.xxxx ±0.03
		ANGULA ±1°