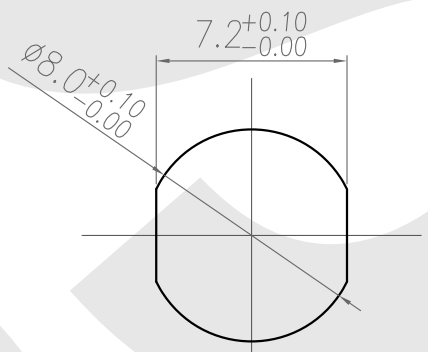
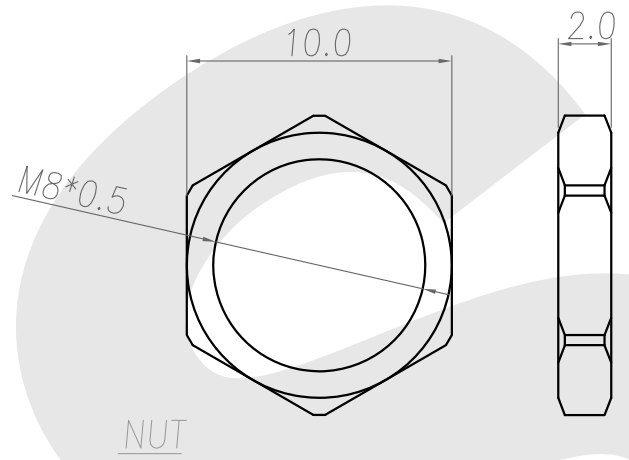
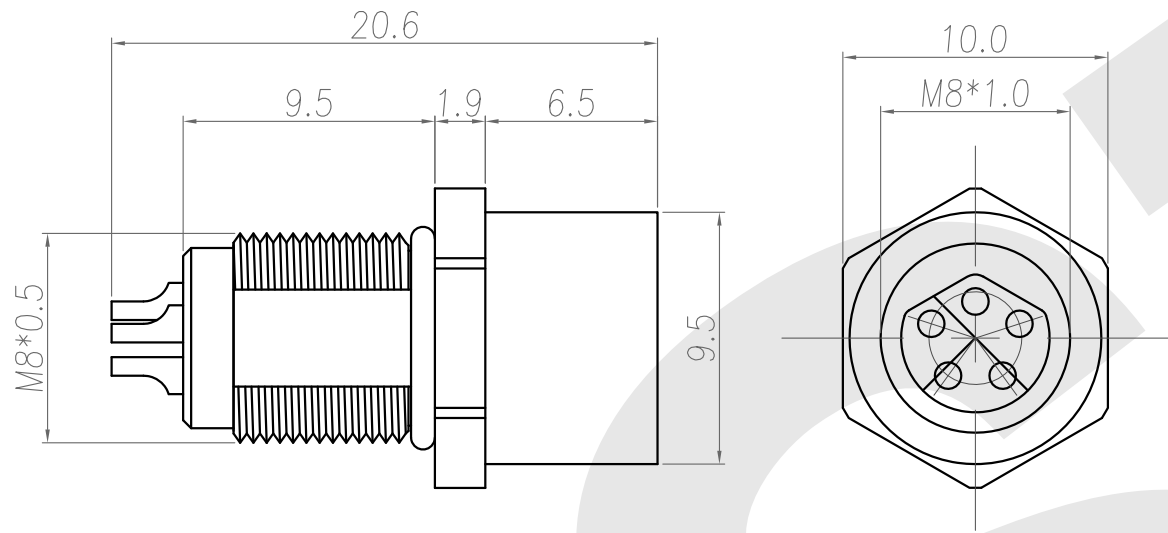


Rev	Revisions	Rev.Drawn	Date
A		Du	14/06/12*



NOTE:

- MATERIAL :**
 - 1-1. HOUSING : PBT UL94V-0 ; COLOR : BLACK
 - 1-2. CONTACT : BRASS.
 - 1-3. SHELL : BRASS.
 - 1-4. NUT : BRASS.
 - 1-5. O-RING : EPDM ; COLOR : BLACK
- FINISH :**
 - 2-1. CONTACT : GOLD FLASH.
 - 2-2. SHELL : NICKEL PLATED.
 - 2-3. NUT : NICKEL PLATED.
- ELECTRICAL SPECIFICATION :**
 - 3-1. Rated current : 5A
 - 3-2. Rated Voltage : 125V
 - 3-3. Water proof : IP67
- Environmental :**
 - 4-1. Operation Temperature : -20 °C~85°C

SST SOUTH SEA TERMINAL CO.,LTD

SGS Report No.:	Customer:	Part No.:
		8F5P-B-F-BL-8.0x1.0-D-S-GF-B-N
Title: M8 FEMALE SOLDER TYPE BACK LOCK for PANEL (FOOL PROOFING)		
Drawn By: Storm.Li	SCALE /	SHEET 1/1
Checked By: du	REV. A	DWG NO.: SST-101102-01
Approved By: Tony	Third angle Projection	TOLERANCE: .x ±0.20 .xx ±0.10 .xxx ±0.05 .xxxx ±0.03 ANGULA ±1°
	General Dimension Tolerance	Units mm