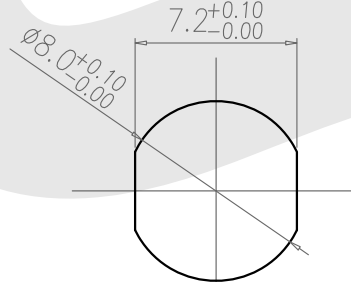
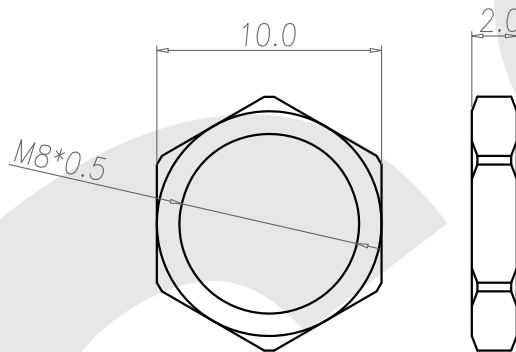
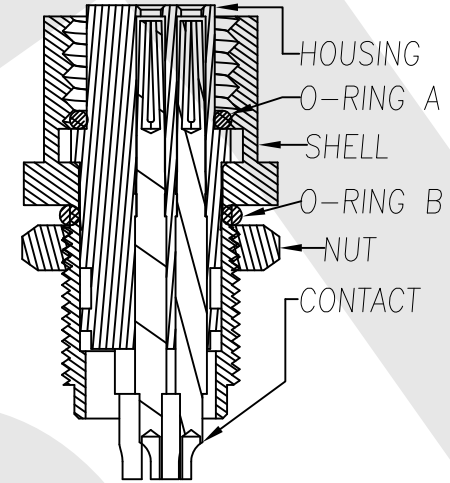
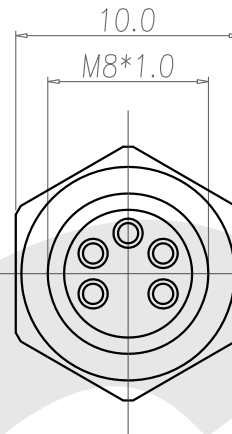
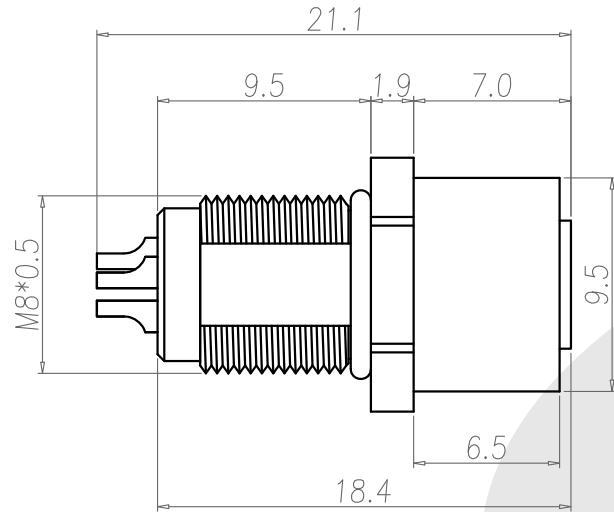


Rev	Revisions	Rev.Drawn	Date
A		Du	07.Mar.2013

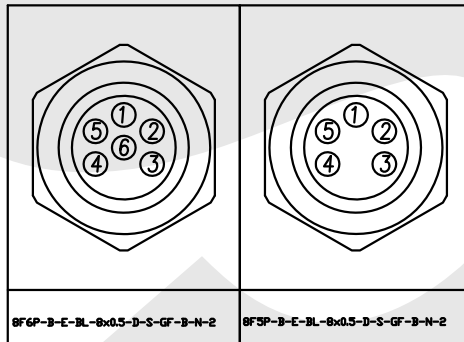


NUT

RECOMMEND PANEL CUT-OUT

NOTE:

- MATERIAL :**
 - 1-1. HOUSING : PBT UL94V-0 ; COLOR : BLACK
 - 1-2. CONTACT : BRASS.
 - 1-3. SHELL : BRASS.
 - 1-4. NUT : BRASS.
 - 1-5. O-RING A : NBR ; COLOR : BLACK
 - 1-6. O-RING B : EPDM ; COLOR : BLACK
- FINISH :**
 - 2-1. CONTACT : GOLD FLASH.
 - 2-2. SHELL : NICKEL PLATED.
 - 2-3. NUT : NICKEL PLATED.
- ELECTRICAL SPECIFICATION :**
 - 3-1. Rated current : 3A
 - 3-2. Rated Voltage : 60V
 - 3-3. Water proof : IP67
- Environmental :**
 - 4-1. Operation Temperature : -20 ℃~85℃



SST SOUTH SEA TERMINAL CO.,LTD

SGS Report No.:	Customer:	Part No.:
		8F5P-B-E-BL-8x0.5-D-S-GF-B-N-2
Title: M8 FEMALE SOLDER TYPE BACK LOCK for PANEL		
Drawn By: Storm.Li	SCALE	SHEET
Checked By: du	1:1	1/1
Approved By: Tony	REV. A	
Thire angle Projection		DWG NO.:
General Dimesion Tolerance		/
		Units
		mm
		TOLERANCE:
		.x ±0.20
		.xx ±0.10
		.xxx ±0.05
		.xxxx ±0.03
		ANGULA ±1°