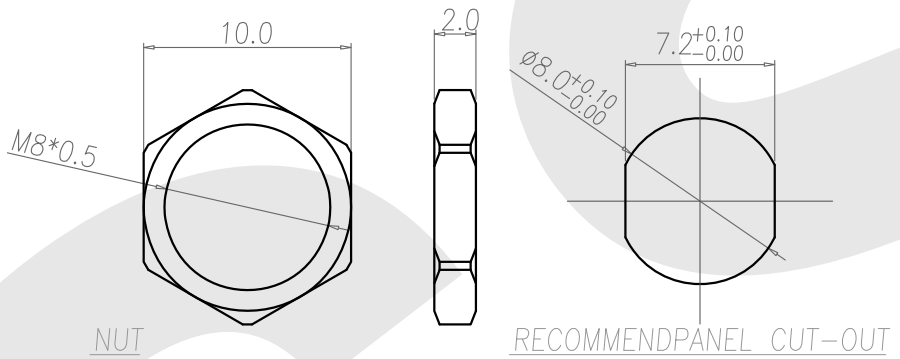
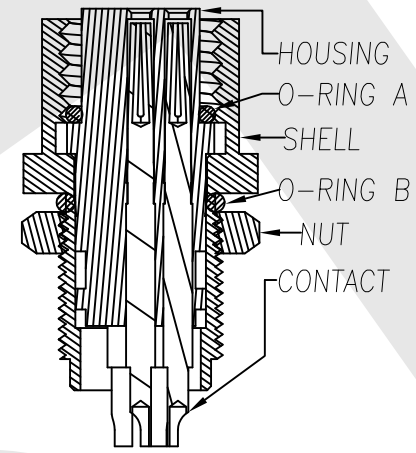
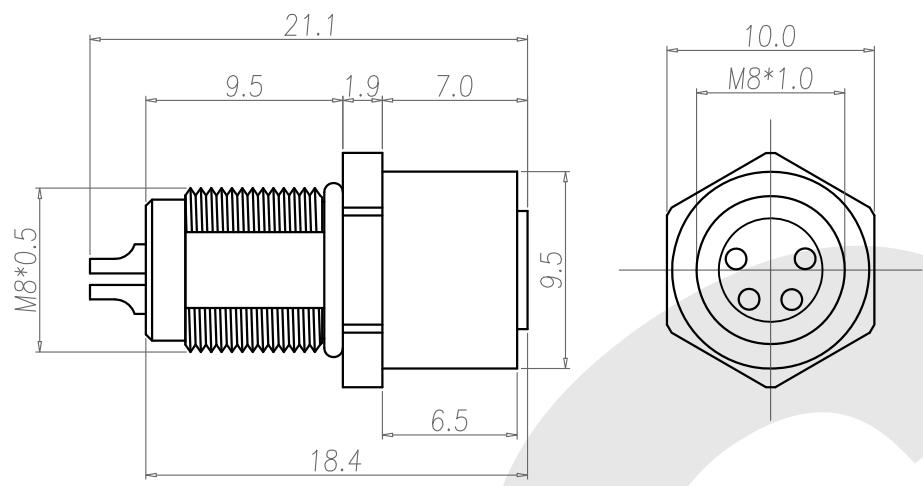


Rev	Revisions	Rev.Drawn	Date
A		Du	07.Mar.2013



- NOTE:**
- MATERIAL :**
 - 1-1. HOUSING : PBT UL94V-0 ; COLOR : BLACK
 - 1-2. CONTACT : BRASS.
 - 1-3. SHELL : BRASS.
 - 1-4. NUT : BRASS.
 - 1-5. O-RING A: NBR ; COLOR : BLACK
 - 1-6. O-RING B: EPDM ; COLOR : BLACK
 - FINISH :**
 - 2-1. CONTACT : GOLD FLASH.
 - 2-2. SHELL : NICKEL PLATED.
 - 2-3. NUT : NICKEL PLATED.
 - ELECTRICAL SPECIFICATION :**
 - 3-1. Rated current : 5A
 - 3-2. Rated Voltage : 125V
 - 3-3. Water proof : IP67
 - Environmental :**
 - 4-1. Operation Temperature : -20 ℃~85℃

TABLE A

8F4P-B-E-BL-8x0.5-D-S-GF-B-N-1	8F3P-B-E-BL-8x0.5-D-S-GF-B-N-1	8F2P-B-E-BL-8x0.5-D-S-GF-B-N-1

SST SOUTH SEA TERMINAL CO.,LTD

SGS Report No.:	Customer:	Part No.:
		8F4P-B-E-BL-8x0.5-D-S-GF-B-N-1
Title:M8 FEMALE SOLDER TYPE BACK LOCK for PANEL		
Drawn By:Storm.Li	SCALE	SHEET
Checked By:du	1:1	1/1
Approved By:Tony	REV.	A
	DWG NO.:	
	/	
	TOLERANCE:	
	.x ±0.20	
	.xx ±0.10	
	.xxx ±0.05	
	.xxxx ±0.03	
	ANGULA ±1°	
	Third angle Projection	Units
	General Dimension Tolerance	mm