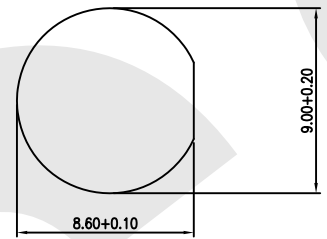
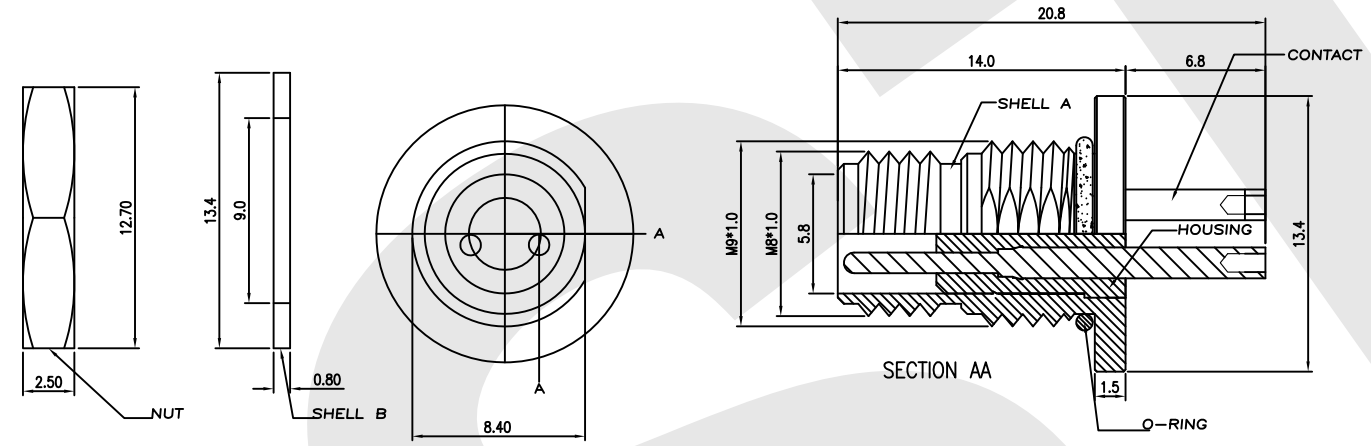


Rev	Revisions	Rev.Drawn	Date
A		Du	25.11.2008



PANEL CUT-OUT

1. MATERIAL :
 - 1-1. HOUSING : PBT UL94V-0 ; COLOR : BLACK
 - 1-2. CONTACT : BRASS
 - 1-3. SHELL A : BRASS
 - 1-4. SHELL B : BRASS
 - 1-5. NUT : BRASS
 - 1-6. O-RING :EPDM; COLOR : BLACK
2. FINISH :
 - 2-1. CONTACT : 10 MICRO INCHES MIN. GOLD PLATED UNDER PLATE : NICKEL
 - 2-2. SHELL A : NICKEL PLATED 60u" ~ 100u" OVER ALL
 - 2-3. SHELL B : NICKEL PLATED 60u" ~ 100u" OVER ALL
 - 2-4. NUT: NICKEL PLATED 60u" ~ 100u" OVER ALL
3. ELETRICAL SPECIFICATION :
 - 3-1. Rated current : 5A
 - 3-2. Voltage :125V
 - 3-3. Water proof: IPX7
4. Environmental :
 - 4-1. Operation Temperature : -40C~85C

SST SOUTH SEA TERMINAL CO.,LTD

SGS Report No.:	Customer:	Part No.:
		8M2P-B-E-FL-9x1.0-S-S-G10-B-N
Title: M8 MALE SOLDER TYPE FRONT LOCK for PANEL		
Drawn By: Storm.Li	SCALE	SHEET
Checked By: du	1:1	1/1
Approved By: Tony	REV.	A
	DWG NO.:	SST-081125-01
	TOLERANCE:	X. ±2MM
		.X ±1MM
		.XX ±0.1MM
		.XXX±0.1MM
	Units	mm
	Third angle Projection	
	General Dimesion Tolerance	