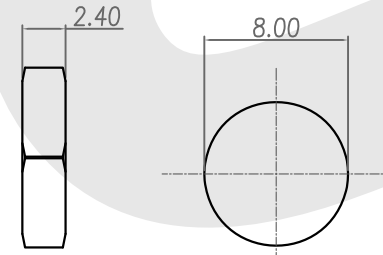
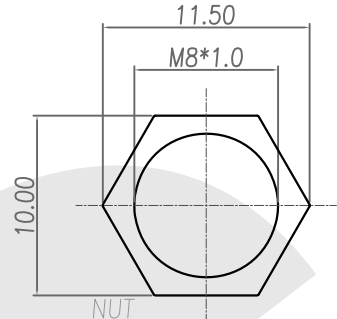
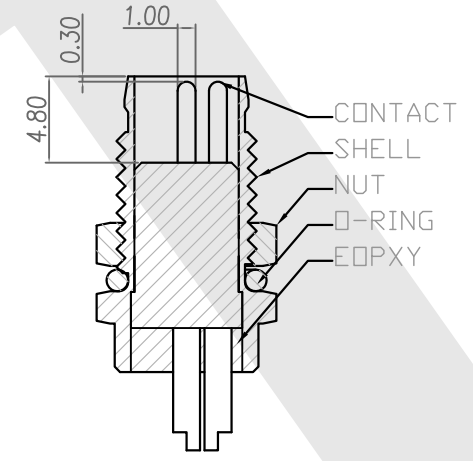
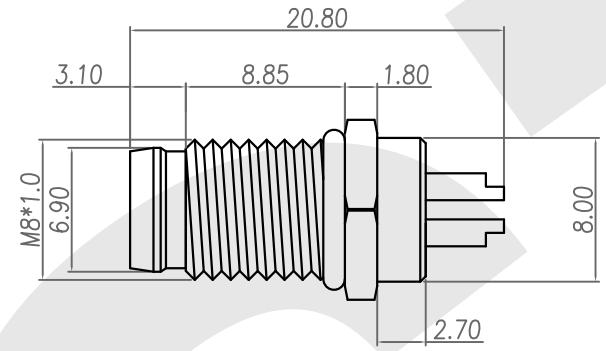
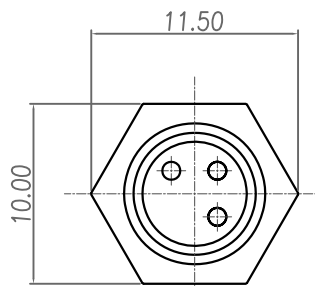


Rev	Revisions	Rev.Drawn	Date
A		Du	07.Mar.2013



- MATERIAL :**
 - 1-1. HOUSING : PBT ; COLOR : BLACK
 - 1-2. CONTACT : BRASS.
 - 1-3. SHELL : BRASS
 - 1-4. O-RING : NBR ; COLOR : BLACK
 - 1-5. NUT : BRASS.
- FINISH :**
 - 2-1. CONTACT : 10 MICRO INCHES MIN. GOLD PLATING
 - 2-2. SHELL : NICKEL PLATED.
 - 2-3. NUT : NICKEL PLATED.
- ELECTRICAL SPECIFICATION :**
 - 3-1. Rated current : 5A
 - 3-2. Rated Voltage : 125V
 - 3-3. Water proof : IP67
- Environmental :**
 - 4-1. Operation Temperature : -20 ℃~85℃

RECOMMEND PANEL CUT-OUT

P/N	DESCRIPTION	4P	3P	2P
8M4P-B-E-FL-8x1.0-C-S-G10-B-N	M8 MALE SOLDER TYPE FRONT LOCK for PANEL			
8M3P-B-E-FL-8x1.0-C-S-G10-B-N	M8 MALE SOLDER TYPE FRONT LOCK for PANEL			
8M2P-B-E-FL-8x1.0-C-S-G10-B-N	M8 MALE SOLDER TYPE FRONT LOCK for PANEL			

SST SOUTH SEA TERMINAL CO.,LTD

SGS Report No.:	Customer:	Part No.:
		8M3P-B-E-FL-8x1.0-C-S-G10-B-N
Title: M8 MALE SOLDER TYPE FRONT LOCK for PANEL		
Drawn By: Storm.Li	SCALE	SHEET
Checked By: du	1:1	1/1
Approved By: Tony	REV.	A
	DWG NO.:	/
	Third angle Projection	Units
	General Dimension Tolerance	mm
	TOLERANCE:	
	.x	±0.20
	.xx	±0.10
	.xxx	±0.05
	.xxxx	±0.03
	ANGULA	±1°