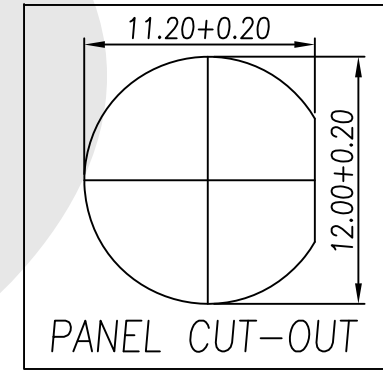
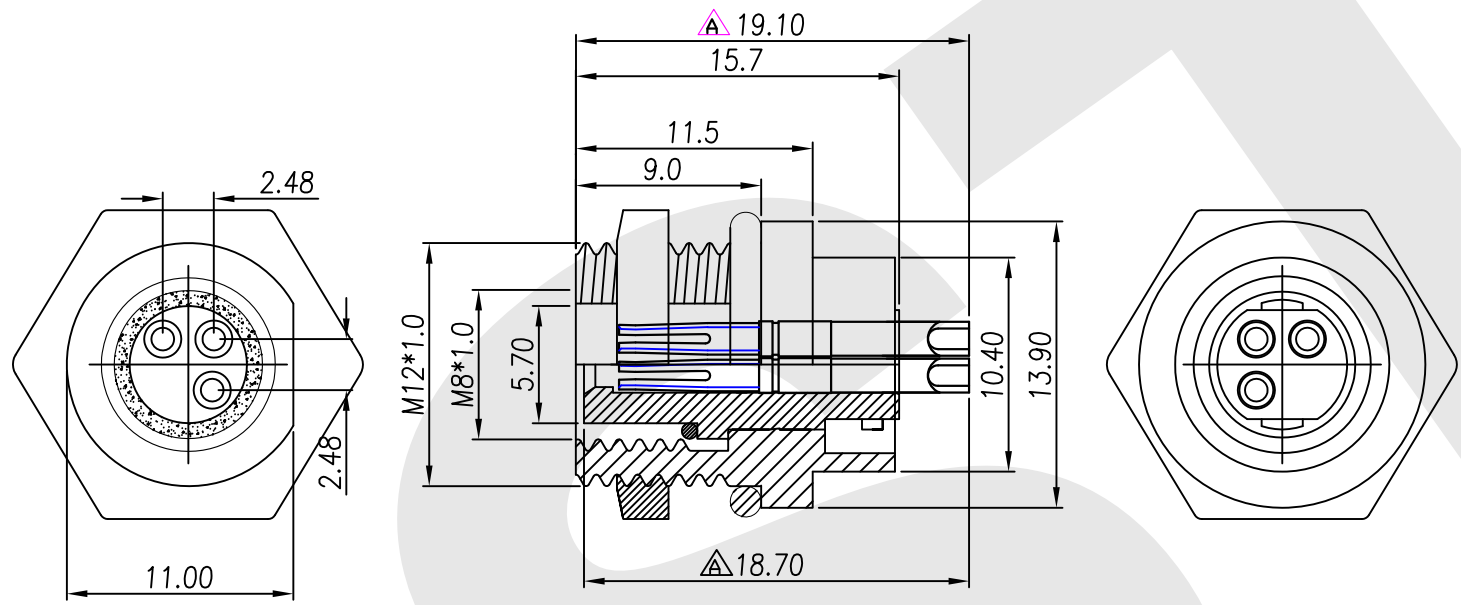


Rev	Revisions	Rev.Drawn	Date
A		Du	25.11.2008



1. MATERIAL
  - 1-1.INSULATION: THERMOPLASTIC UL94V-0  
COLOR: BLACK.
  - 1-2.CONTACT: BRASS
  - 1-3.SHELL: BRASS
  - 1-4.NUT:BRASS
  - 1-5.O-Ring: NBR(BLACK)
2. PLATING
  - 2-1.CONTACT: GOLD 10u" on contact  
Goldflash on solder Area
  - 2-2.Shell:NICKEL 60u"
  - 2-3.NUT:NICKEL 60u"

SGS Report No.:		Customer:		Part No.:	
				8F3P-B-E-FL-12x1.0-S-S-G10-B-N-1	
Title:M8 FEMALE SOLDER TYPE FRONT LOCK for PANEL					
Drawn By:Storm.Li	SCALE	SHEET	REV.	DWG NO.:	TOLERANCE:
Checked By:du	1:1	1/1	A	SST-081125-01	X. ±2MM .X ±1MM .XX ±0.1MM .XXX±0.1MM
Approved By: Tony	Third angle Projection			Units mm	
General Dimension Tolerance					