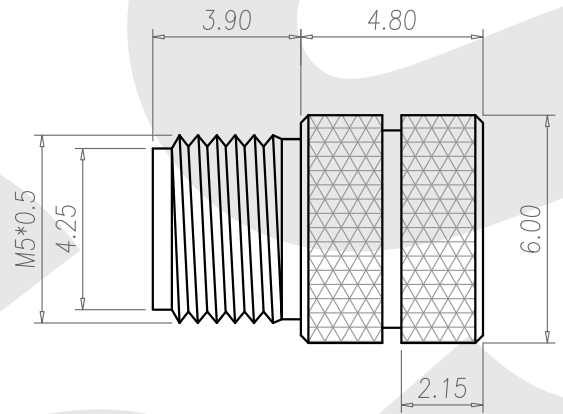
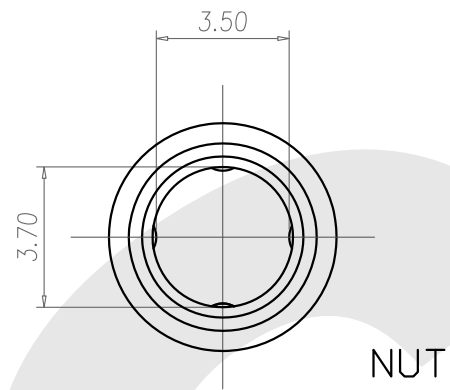
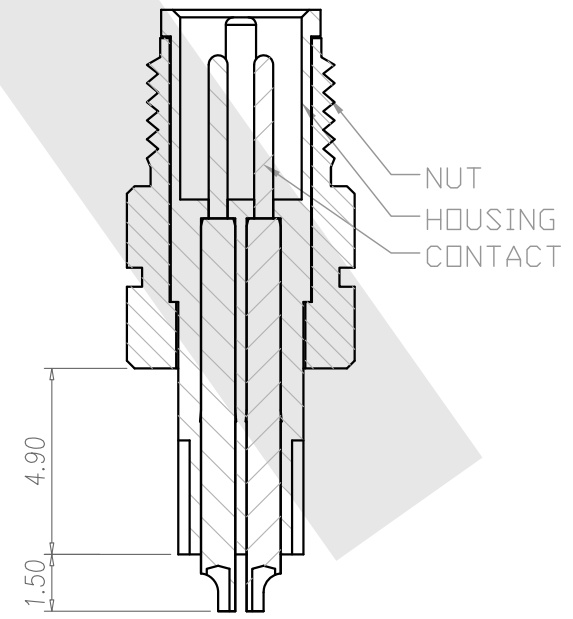
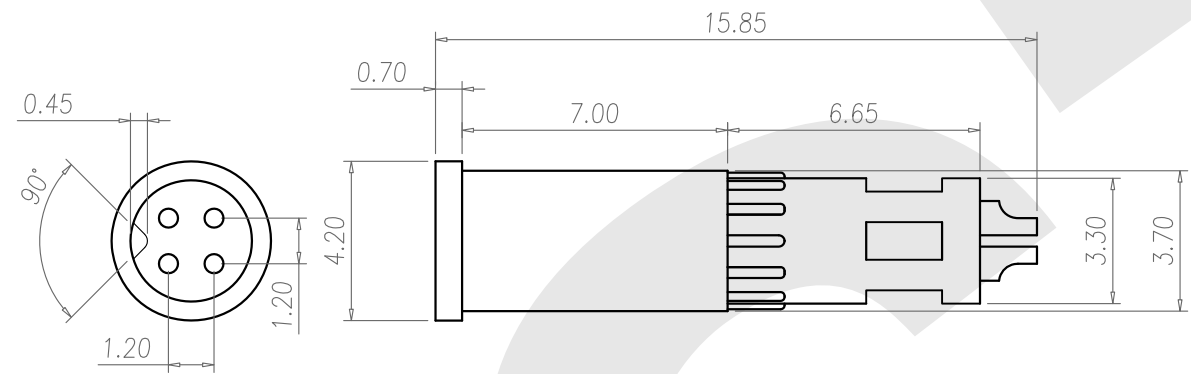
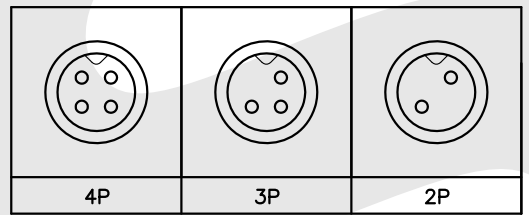


Rev	Revisions	Rev.Drawn	Date
A		Du	Feb.05.2013



- MATERIAL :**
 - HOUSING : TPU ; COLOR : BLACK
 - CONTACT : BRASS
 - NUT : BRASS
- FINISH :**
 - CONTACT : GOLD FLASH MICRO INCHES MIN.
 - NUT : Satin Nickel
- ELECTRICAL SPECIFICATION :**
 - Rated current : 1A
 - Rated Voltage : 60V
 - Water proof: IP67
- Environmental :**
 - Operation Temperature : -20 ℃~85℃



5M2P-W-A-8.4-P-2-GF-B-SN	Satin Nickel
5M3P-W-A-8.4-P-2-GF-B-SN	Satin Nickel
5M4P-W-A-8.4-P-2-GF-B-SN	Satin Nickel
PART NO.	PLATED

SST SOUTH SEA TERMINAL CO.,LTD

SGS Report No.:	Customer:	Part No.:
		5M4P-W-A-8.4-P-2-GF-B-SN
Title: M5 MALE SOLDER TYPE for CABLE		
Drawn By: Storm.Li	SCALE	SHEET
Checked By: du	1:1	1/1
Approved By: Tony	REV. A	
	DWG NO.:	
	Thire angle Projection	
	General Dimension Tolerance	
	Units	mm
	TOLERANCE	
	.x ±0.20	
	.xx ±0.10	
	.xxx ±0.05	
	.xxxx ±0.03	
	ANGULA ±1°	