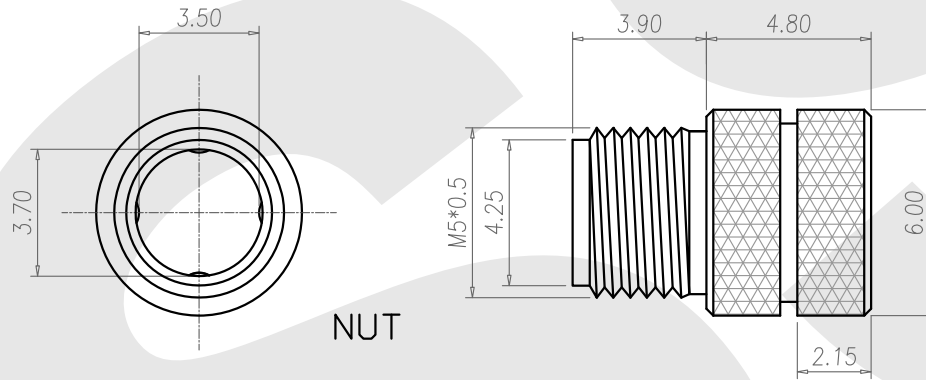
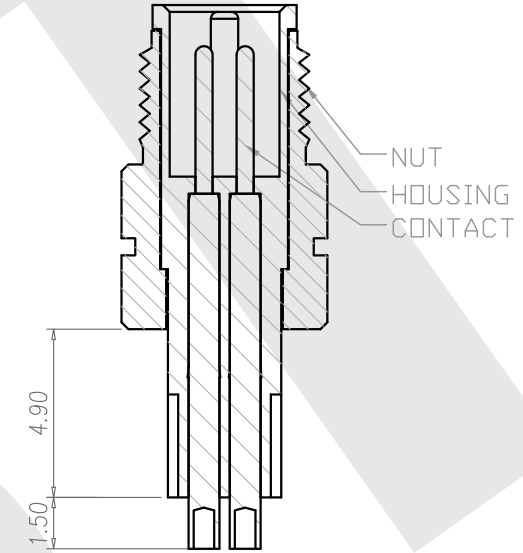
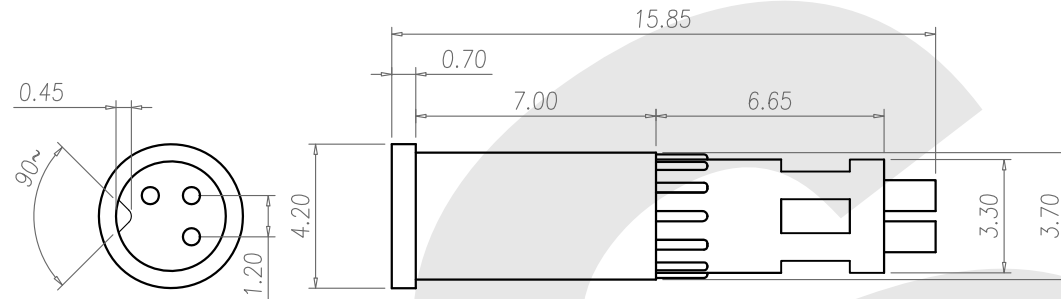


| Rev | Revisions | Rev.Drawn | Date        |
|-----|-----------|-----------|-------------|
| A   |           | Du        | 03.Aug.2012 |



1. MATERIAL :
  - 1-1. HOUSING : TPU ; COLOR : BLACK
  - 1-2. CONTACT : BRASS
  - 1-3. NUT : BRASS
2. FINISH :
  - 2-1. CONTACT : GOLD FLASH MICRO INCHES MIN.
  - 2-2. NUT : Satin Nickel PLATED.
3. ELECTRICAL SPECIFICATION :
  - 3-1. Rated current : 1A
  - 3-2. Rated Voltage : 60V
  - 3-3. Water proof: IP67
4. Environmental :
  - 4-1. Operation Temperature : -20C~85C

**SST** SOUTH SEA TERMINAL CO.,LTD

SGS Report No.: Customer: Part No.:  
5M3P-W-A-8.4-P-2-GF-B-SN

Title: M5 MALE SOLDER TYPE for CABLE

|                    |                        |       |                             |          |  |
|--------------------|------------------------|-------|-----------------------------|----------|--|
| Drawn By: Storm.Li | SCALE                  | SHEET | REV.                        | DWG NO.: | TOLERANCE:<br>.x ±0.20<br>.xx ±0.15<br>.xxx ±0.10<br>.xxxx ±0.03<br>ANGULA ±1° |
| Checked By: du     | 1:1                    | 1/1   | A                           | /        |  |
| Approved By: Tony  | Thire angle Projection |       | General Dimension Tolerance |          |  |
|                    |                        |       |                             | Units    |  |
|                    |                        |       |                             | mm       |  |