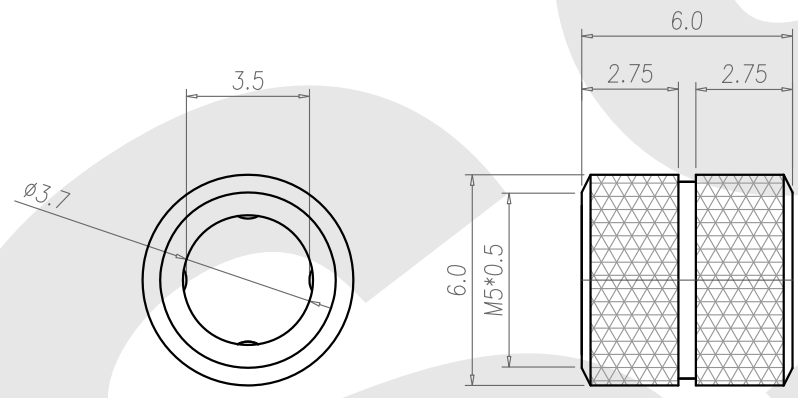
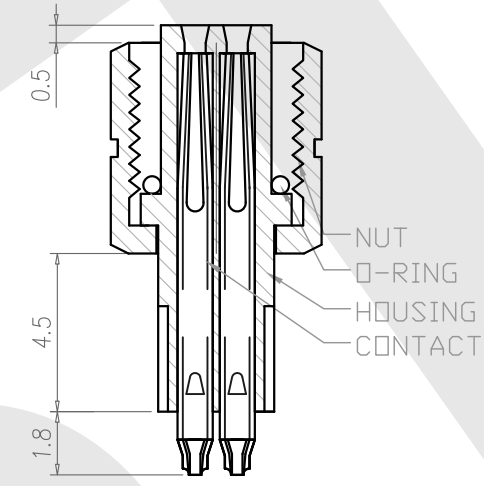
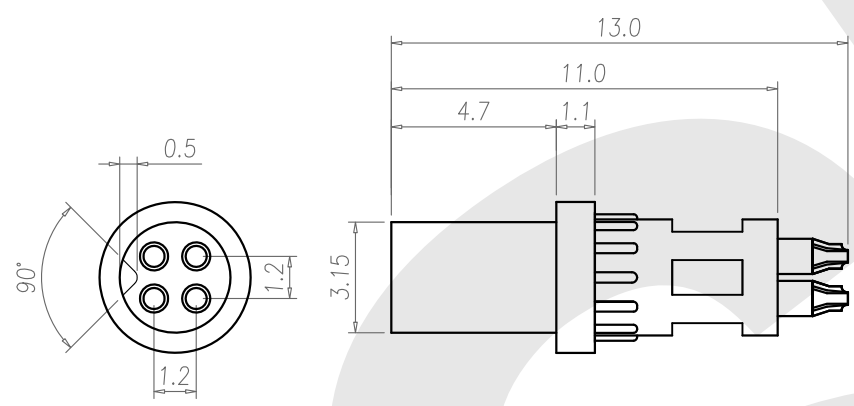


Rev	Revisions	Rev.Drawn	Date
A		Du	25.11.2008



NUT

1. MATERIAL :
 - 1-1. HOUSING : TPU ; COLOR : BLACK
 - 1-2. CONTACT : PHOSPHOR BRONZE
 - 1-3. NUT : BRASS
 - 1-4. O-RING : NBR ; COLOR : BLACK
2. FINISH :
 - 2-1. CONTACT : GOLD FLASH MICRO INCHES MIN.
 - 2-2. NUT : Satin Nickel PLATED.
3. ELECTRICAL SPECIFICATION :
 - 3-1. Rated current : 1A
 - 3-2. Rated Voltage : 60V
 - 3-3. Water proof: IP67
4. Environmental :
 - 4-1. Operation Temperature : -20 ℃~85℃

SST SOUTH SEA TERMINAL CO.,LTD

SGS Report No.:	Customer:	Part No.:
		5F4P-W-A-6.0-P-2-GF-B-SN
Title: M5 FEMALE SOLDER TYPE for CABLE		
Drawn By: Storm.Li	SCALE	SHEET
Checked By: du	1:1	1/1
Approved By: Tony	REV.	A
	DWG NO.:	SST-081125-01
	TOLERANCE:	
	X. ±2MM	
	.X ±0.25MM	
	.XX ±0.1MM	
	.XXX±0.1MM	
	Third angle Projection	Units
	General Dimension Tolerance	mm