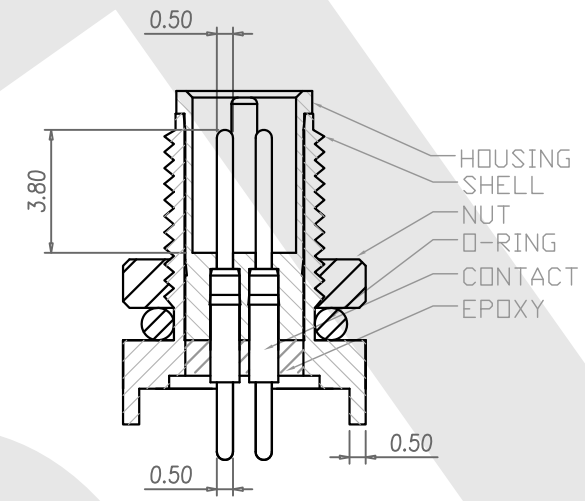
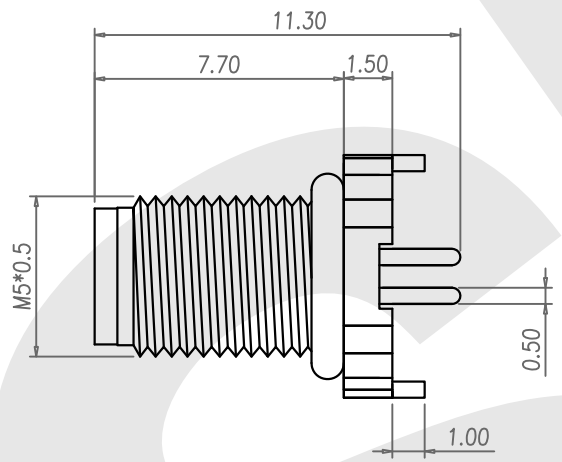
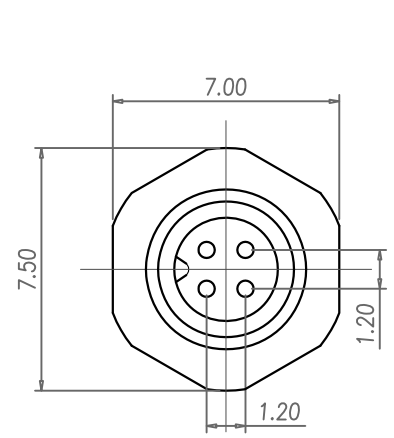
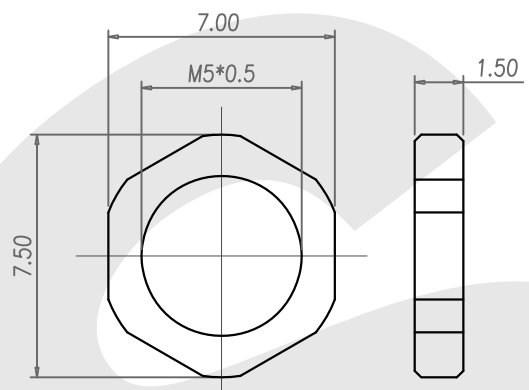


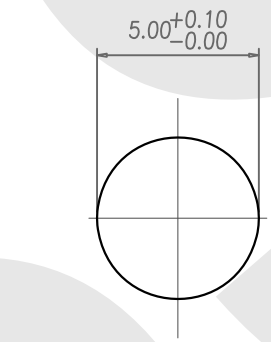
Rev	Revisions	Rev.Drawn	Date
A		Du	07.Mar.2013



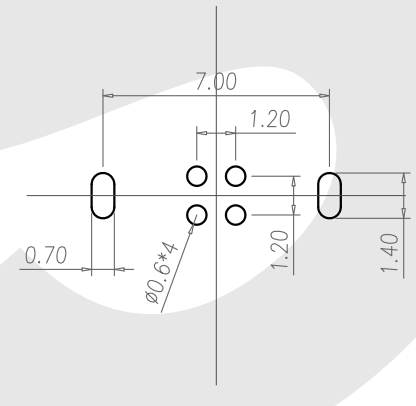
HOUSING
SHELL
NUT
O-RING
CONTACT
EPOXY



NUT



RECOMMENDPANEL CUT-OUT



RECOMMENDPANEL PCB

- MATERIAL :**
 - 1-1. HOUSING : PBT UL94V-0 ; COLOR : BLACK
 - 1-2. CONTACT : BRASS
 - 1-3. NUT : BRASS
 - 1-4. SHELL : BRASS
 - 1-5. O-RING : NBR ; COLOR : BLACK
 - 1-6. EPOXY BASE : EF400A & EF400B. COLOR : BLACK
- FINISH :**
 - 2-1. CONTACT : GOLD FLASH MICRO INCHES MIN.
 - 2-2. NUT : NICKEL PLATED.
 - 2-3. SHELL : NICKEL PLATED.
- ELECTRICAL SPECIFICATION :**
 - 3-1. Rated current : 1A
 - 3-2. Rated Voltage : 60V
 - 3-3. Water proof: IP67
- Environmental :**
 - 4-1. Operation Temperature : -20 °C~85°C

SST SOUTH SEA TERMINAL CO.,LTD

SGS Report No.:	Customer:	Part No.:
		5M4P-B-A-FL-5x0.5-C-D-P-GF-B-N
Title:M5 MALE DIP TYPE FRONT LOCK for BOARD (FIXED PEG)		
Drawn By:Storm.Li	SCALE	SHEET
Checked By:du	1:1	1/1
Approved By:Tony	REV.	A
	DWG NO.:	/
	Thire angle Projection	Units
	General Dimesion Tolerance	mm
	TOLERANCE:	
	.x	±0.20
	.xx	±0.10
	.xxx	±0.05
	.xxxx	±0.03
	ANGULA	±1°