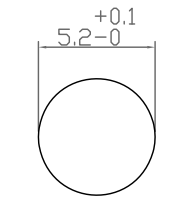
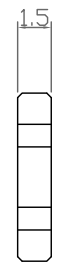
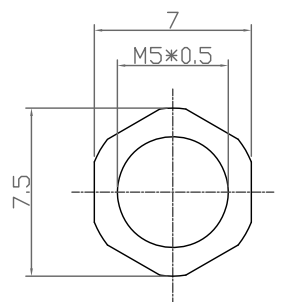
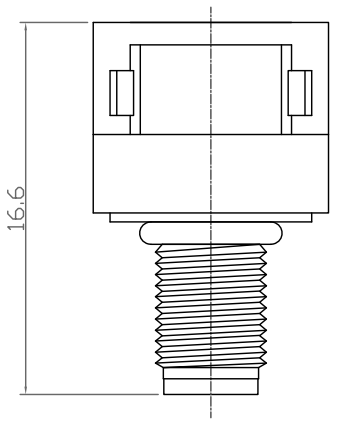
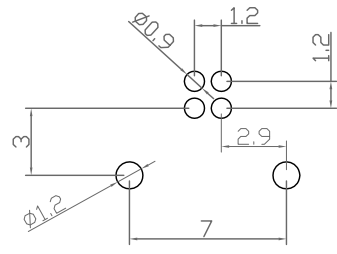


Rev	Revisions	Rev.Drawn	Date
A		Du	31,May,2011
B	增加料號	Du	14,JAN,2015



PANEL CUT-OUT

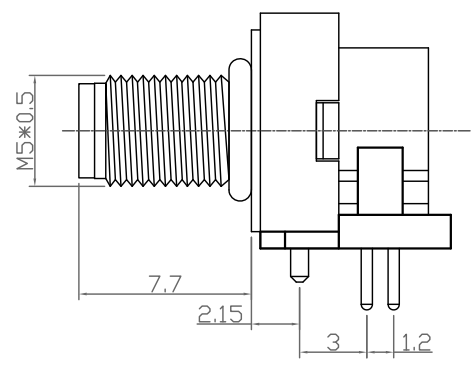
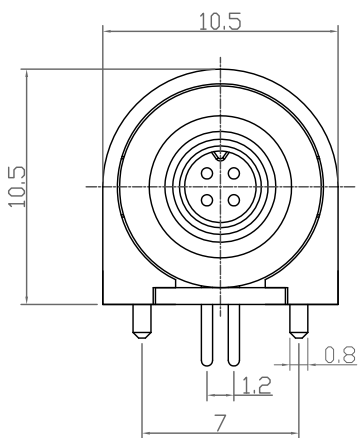


P.C.B LAYOUT

NUT

NOTE:

- MATERIAL :
  - 1-1. HOUSING : PBT UL94V-0 ; COLOR : BLACK
  - 1-2. CONTACT : BRASS
  - 1-3. NUT : BRASS
  - 1-4. O-RING : NBR ; COLOR : BLACK
  - 1-5. BACK HOUSING : PBT UL94V-0 ; COLOR : BLACK
  - 1-6. DOWN HOUSING : PBT UL94V-0 ; COLOR : BLACK
- FINISH :
  - 2-1. CONTACT : GOLD FLASH ON OVER ALL  
UNDER PLATE : NICKEL
  - 2-2. NUT : STAIN NICKEL.
- ELECTRICAL SPECIFICATION :
  - 3-1. Rated current : 1A
  - 3-2. Rated Voltage : 60V
  - 3-3. Water proof: IP67
- Environmental :
  - 4-1. Operation Temperature : -20 ℃~85℃



SST P/N

5M2P-B-RA-A-FL-5x0.5-C-D-CF-B-N	5M3P-B-RA-A-FL-5x0.5-C-D-CF-B-N	5M4P-B-RA-A-FL-5x0.5-C-D-CF-B-N

**SST SOUTH SEA TERMINAL CO.,LTD**

SGS Report No.:	Customer:	Part No.:
		5M2(3,4)P-B-RA-A-FL-5x0.5-C-D-CF-B-N
Title: M5 MALE 90° DIP TYPE for BOARD		
Drawn By: Storm.Li	SCALE: 1:1	SHEET: 1/1
Checked By: du	REV: A	REV.:
Approved By: Tony	DWG NO.:	
Third angle Projection		Units: mm
General Dimension Tolerance		TOLERANCE
		.x ±0.20
		.xx ±0.10
		.xxx ±0.05
		.xxxx ±0.03
		ANGULA ±1°