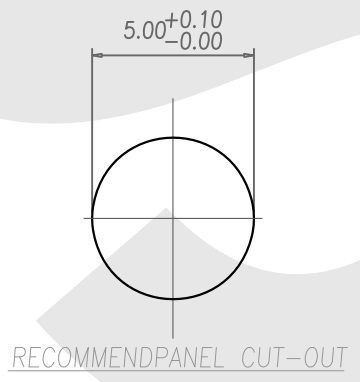
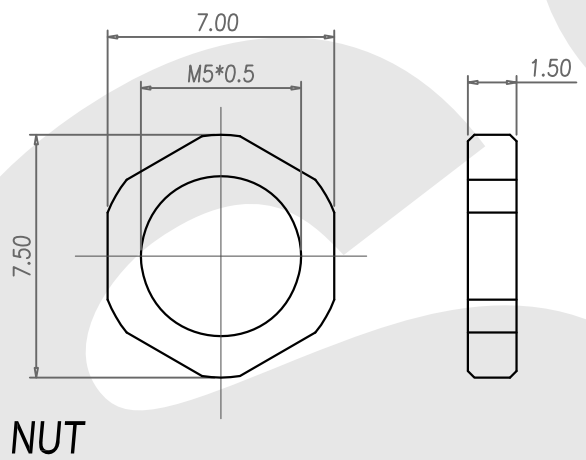
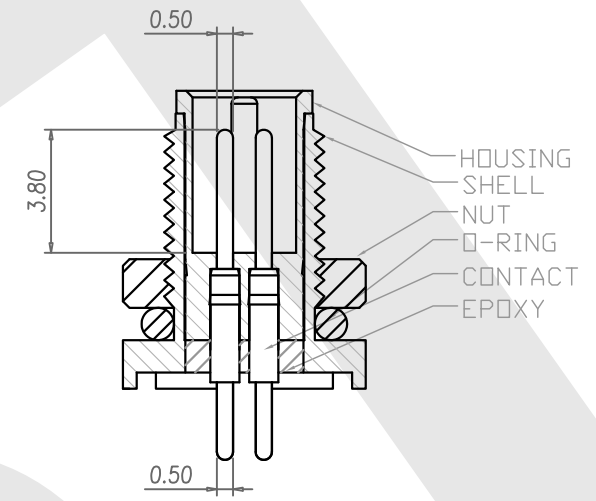
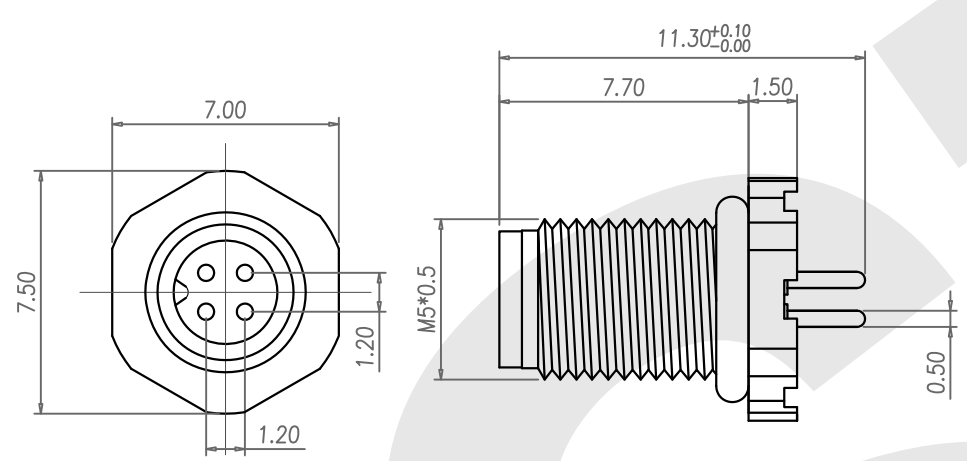


Rev	Revisions	Rev.Drawn	Date
A		Du	30.04.2010



1. MATERIAL :
 - 1-1. HOUSING : PBT UL94V-0 ; COLOR : BLACK
 - 1-2. CONTACT : BRASS
 - 1-3. NUT : BRASS
 - 1-4. SHELL : BRASS
 - 1-5. O-RING : NBR ; COLOR : BLACK
 - 1-6. EPOXY BASE : EF400A & EF400B. COLOR : BLACK
2. FINISH :
 - 2-1. CONTACT : GOLD FLASH MICRO INCHES MIN.
 - 2-2. NUT : NICKEL PLATED.
 - 2-3. SHELL : NICKEL PLATED.
3. ELECTRICAL SPECIFICATION :
 - 3-1. Rated current : 1A
 - 3-2. Rated Voltage : 60V
 - 3-3. Water proof: IP67
4. Environmental :

SST SOUTH SEA TERMINAL CO.,LTD

SGS Report No.:	Customer:	Part No.:
		5M4P-B-A-FL-5x0.5-C-D-GF-B-N
Title: M5 MALE DIP TYPE FRONT LOCK for BOARD		
Drawn By: Storm.Li	SCALE	SHEET
Checked By: du	1:1	1/1
Approved By: Tony	Thire angle Projection	REV. A
	General Dimesion Tolerance	DWG NO.:
		SST-100430-02
		TOLERANCE:
		X. ±2MM
		.X ±0.25MM
		.XX ±0.1MM
		.XXX±0.1MM
		Units
		mm