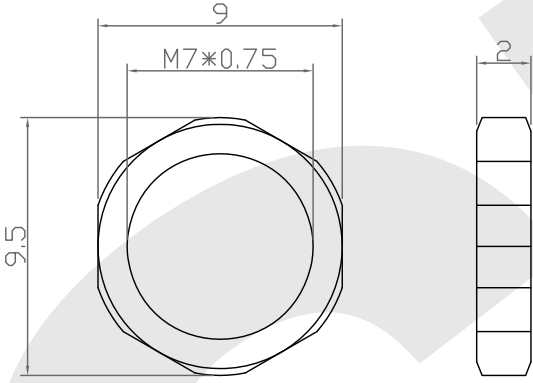
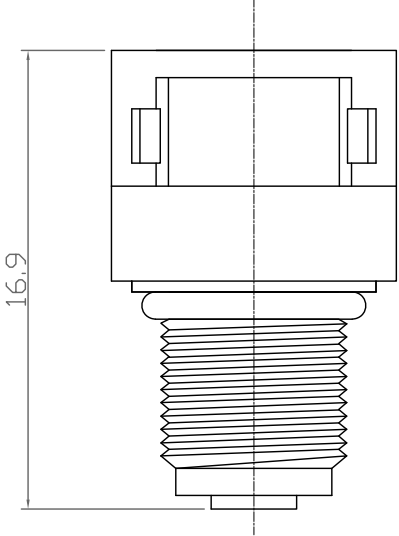
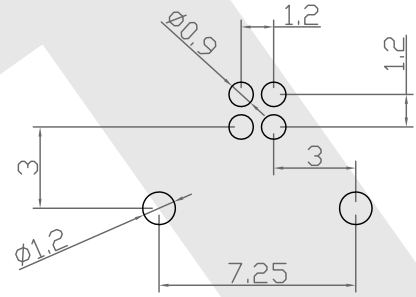


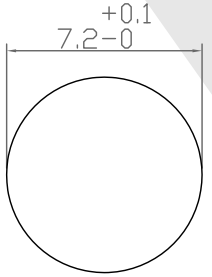
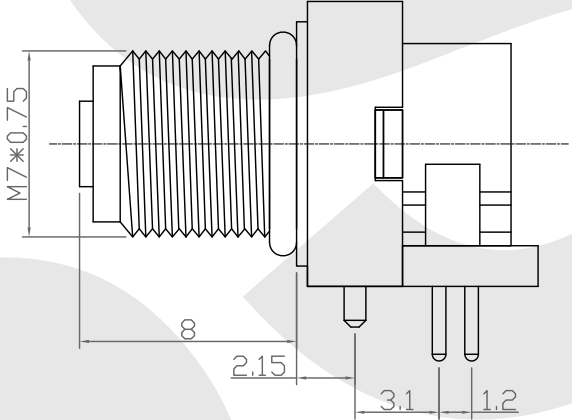
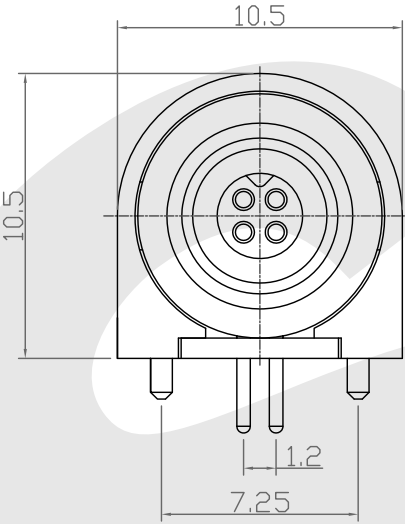
Rev	Revisions	Rev.Drawn	Date
A		Du	31,May,2011



NUT



P.C.B LAYOUT



PANEL CUT-OUT

NOTE:

1. MATERIAL :
 - 1-1. HOUSING : PBT UL94V-0 ; COLOR : BLACK
 - 1-2. CONTACT : BRASS
 - 1-3. NUT : BRASS
 - 1-4. SHELL: BRASS
 - 1-5. O-RING : NBR ; COLOR : BLACK
 - 1-6. BACK HOUSING : PBT UL94V-0 ; COLOR : BLACK
 - 1-7. DOWN HOUSING : PBT UL94V-0 ; COLOR : BLACK
2. FINISH :
 - 2-1. CONTACT : GOLD FLASH ON OVER ALL UNDER PLATE : NICKEL
 - 2-2. NUT : STAIN NICKEL 80u"~100u" ON OVER ALL
 - 2-3. SHELL : STAIN NICKEL 80u"~100u" ON OVER ALL

SST SOUTH SEA TERMINAL CO.,LTD

SGS Report No.: Customer: Part No.: 5F4P-B-RA-A-FL-7x0.75-C-D-GF-B-N

Title: M5 FEMALE 90°DIP TYPE FRONT LOCK for BOARD

Drawn By: Storm.Li	SCALE	SHEET	REV.	DWG NO.:	TOLERANCE .x ±0.20 .xx ±0.10 .xxx ±0.05 .xxxx ±0.03 ANGULA ±1°
Checked By: du	1:1	1/1	A	SST-110531-24	
Approved By: Tony	Third angle Projection General Dimension Tolerance			Units mm	